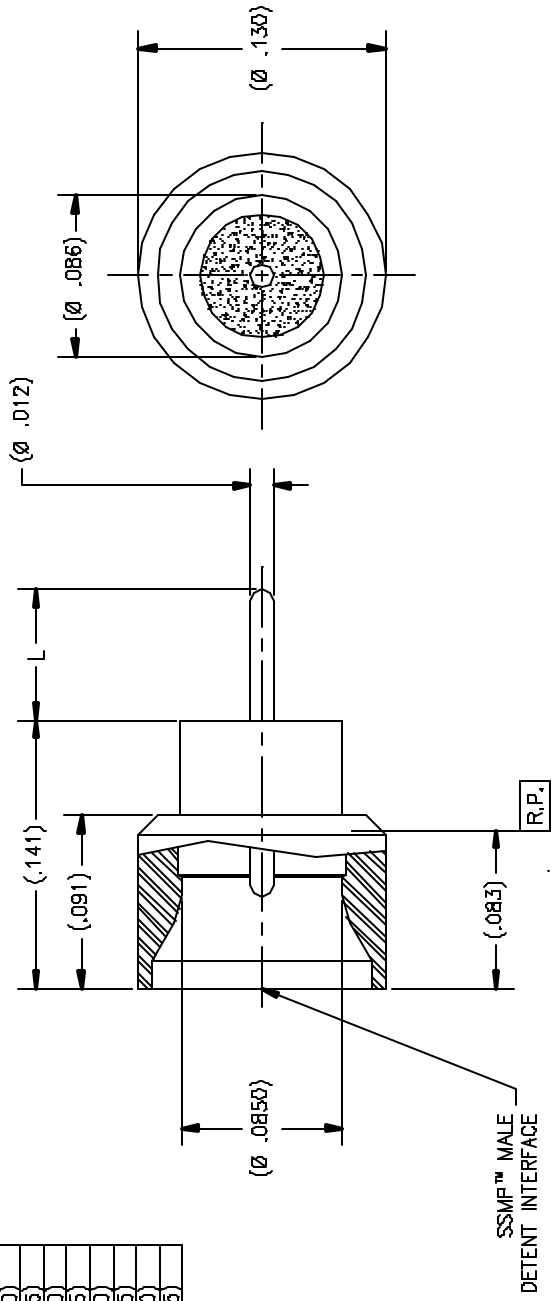
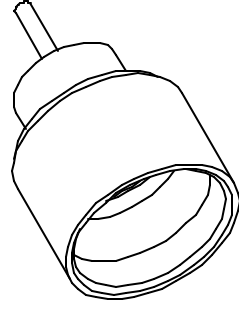


ZONE	REV	DESCRIPTION	DATE	BY
-	A	ECO13116	03.28.01	AGS
-	B	ECO 13225 (REDESIGN BODY)	04.26.01	ATV



DRAWING NO. P154  
REV. B



P/N	APPLICABLE NOTE(S)	(L)
-10C	1,2,3	(.090)
-20C	1,2,3	(.035)
-30C	1,2,3	(.040)
-40C	1,2,3	(.045)
-50C	1,2,3	(.050)
-60C	1,2,3	(.055)
-70C	1,2,3	(.060)
-80C	1,2,3	(.065)
-90C	1,2,3	(.070)
-10CC	1,2,3	(.075)
-110C	1,2,3	(.080)
-120C	1,2,3	(.085)
-130C	1,2,3	(.090)
-140C	1,2,3	(.095)
-150C	1,2,3	(.100)
-160C	1,2,3	(.105)
-170C	1,2,3	(.110)
-180C	1,2,3	(.115)
-190C	1,2,3	(.120)
-200C	1,2,3	(.125)
-210C	1,2,3	(.130)
-220C	1,2,3	(.135)

NOTE(S):

- MATERIAL(S):
  - BODY & CONTACT: IRON-NICKEL-COBALT SEALING ALLOY PER ASTM F-15
  - GLASS SEAL: CORNING 7D70
- FINISH(S):
  - BODY & CONTACT: GOLD PLATE PER ASTM B-488, OVER NICKEL PLATE PER AMS-QQ-N-290.
  - GLASS SEAL: NONE
- ELECTRICAL PERFORMANCE(S):
  - FREQUENCY RANGE: DC - 40GHz
  - R.F. INSERTION LOSS: 0.25dB MAX TO 40GHz
  - VSWR: 1.5:1 MAX TO 40GHz

SSMP™ IS A REGISTERED TRADEMARK OF TENSOLITE COMPANY.

**TOLERANCES AND NOTES**  
DIMENSIONS ARE IN INCHES  
UNLESS OTHERWISE SPECIFIED  
RAUNDED ± 1/32  
1. MACHINE FINISH: 63/RAE  
2. DEBurr ALL SHARP EDGES AND MAX.  
3. MACHINED SURFACES: 0.005 MAX. RESIDUE  
4. MACHINED SURFACES: 0.005 MAX. RESIDUE  
5. MACHINED SURFACES: 0.005 MAX. RESIDUE  
6. MACHINED SURFACES: 0.005 MAX. RESIDUE  
7. DIMENSIONS TO BE MET BEFORE PLATING  
8. DIMENSIONS TO BE MET AFTER PLATING  
9. DIMENSIONS TO BE MET AFTER PLATING  
10. DIMENSIONS TO BE MET AFTER PLATING  
11. DIMENSIONS TO BE MET AFTER PLATING  
12. DIMENSIONS TO BE MET AFTER PLATING

**NOTICE**  
THIS DRAWING IS THE PROPERTY OF TENSOLITE COMPANY. IT IS TO BE USED ONLY FOR THE MANUFACTURE OF THE PRODUCT SPECIFIED HEREON. IT IS NOT TO BE REPRODUCED, COPIED, OR TRANSMITTED IN ANY FORM OR BY ANY MEANS, ELECTRONIC OR MECHANICAL, INCLUDING PHOTOCOPYING, RECORDING, OR BY ANY INFORMATION STORAGE AND RETRIEVAL SYSTEM. ANY UNAUTHORIZED REPRODUCTION OR USE OF THIS DRAWING IS PROHIBITED AND WILL BE PROSECUTED TO THE FULL EXTENT OF THE LAW. TENSOLITE COMPANY, 10000 S. DEER CREEK ROAD, DENVER, CO 80231, USA. TEL: 303.751.1000. FAX: 303.751.1001. WWW.TENSOLITE.COM

SEE NOTE(S)	SEE NOTE(S)	SIZE	REVISION
-	-	-	-
<b>Tensolite</b>			
HIGH PERFORMANCE CABLES & INTERCONNECT SYSTEMS Little Beach, California 90615			
TITLE: SSMP™ MALE DETENT STRAIGHT SOLDER IN HERMETIC			
SCALE: 20/1 DRAWING NO. 01PXX01P154 SHEET 1 OF 1			
C 50990 P154			