

**1011GN-250E/EL/EP Datasheet**  
**250W Interrogator/Transponder GaN Power**  
**Transistor and Amplifier**



Microsemi makes no warranty, representation, or guarantee regarding the information contained herein or the suitability of its products and services for any particular purpose, nor does Microsemi assume any liability whatsoever arising out of the application or use of any product or circuit. The products sold hereunder and any other products sold by Microsemi have been subject to limited testing and should not be used in conjunction with mission-critical equipment or applications. Any performance specifications are believed to be reliable but are not verified, and Buyer must conduct and complete all performance and other testing of the products, alone and together with, or installed in, any end-products. Buyer shall not rely on any data and performance specifications or parameters provided by Microsemi. It is the Buyer's responsibility to independently determine suitability of any products and to test and verify the same. The information provided by Microsemi hereunder is provided "as is, where is" and with all faults, and the entire risk associated with such information is entirely with the Buyer. Microsemi does not grant, explicitly or implicitly, to any party any patent rights, licenses, or any other IP rights, whether with regard to such information itself or anything described by such information. Information provided in this document is proprietary to Microsemi, and Microsemi reserves the right to make any changes to the information in this document or to any products and services at any time without notice.



Microsemi Corporate Headquarters  
 One Enterprise, Aliso Viejo,  
 CA 92656 USA  
 Within the USA: +1 (800) 713-4113  
 Outside the USA: +1 (949) 380-6100  
 Sales: +1 (949) 380-6136  
 Fax: +1 (949) 215-4996  
 E-mail: [sales.support@microsemi.com](mailto:sales.support@microsemi.com)  
[www.microsemi.com](http://www.microsemi.com)

#### About Microsemi

Microsemi Corporation (Nasdaq: MSCC) offers a comprehensive portfolio of semiconductor and system solutions for communications, defense & security, aerospace and industrial markets. Products include high-performance and radiation-hardened analog mixed-signal integrated circuits, FPGAs, SoCs and ASICs; power management products; timing and synchronization devices and precise time solutions, setting the world's standard for time; voice processing devices; RF solutions; discrete components; enterprise storage and communication solutions, security technologies and scalable anti-tamper products; Ethernet solutions; Power-over-Ethernet ICs and midspans; as well as custom design capabilities and services. Microsemi is headquartered in Aliso Viejo, Calif., and has approximately 4,800 employees globally. Learn more at [www.microsemi.com](http://www.microsemi.com).

©2016 Microsemi Corporation. All rights reserved. Microsemi and the Microsemi logo are registered trademarks of Microsemi Corporation. All other trademarks and service marks are the property of their respective owners.

---

## Revision History

---

### **1.1      Revision 1.0**

Revision 1.0 was the first publication of this document.

---

## Contents

---

Revision History.....	3
1.1 Revision 1.0.....	3
2 Product Overview .....	7
2.1 Applications .....	7
2.1.1 Key Features .....	8
3 Electrical Specifications.....	9
3.1 Absolute Maximum Ratings .....	9
3.2 Electrical Characteristics at 25 °C.....	9
3.3 Functional Characteristics at 25 °C .....	9
3.4 Typical Broadband Performance Data (32 μS, 2% Pulsing) .....	10
3.5 Critical Performance at $P_{IN} = 2.5 \text{ W}$ (34 dBm) .....	10
4 Transistor Impedance Information.....	11
5 Transistor Test Information .....	12
5.1 Transistor Test Circuit Diagram .....	12
6 Product Outline and Terminal Information.....	14
6.1 55-QQ Common Source Package Dimensions and Terminal Information.....	14
6.2 55-QQP Common Source Package Dimensions and Terminal Information.....	15
6.3 Overall Pallet Dimensions .....	16

---

## List of Figures

---

Figure 1 Case Outline 55-QQ Common Source (0.160" × 0.550")..... 7

Figure 2 Case Outline 55-QQP Common Source (0.160" × 0.230")..... 7

Figure 3 Pallet Outline 50 Ω IN/OUT (0.600" × 1.200" × 0.150") ..... 7

Figure 4 Typical Broadband Performance Data Graphs..... 10

Figure 5 Impedance Definition..... 11

Figure 6 Transistor Test Circuit ..... 12

Figure 7 55-QQ Package Dimensions and Terminal Information..... 14

Figure 8 55-QQP Package Dimensions and Terminal Information..... 15

Figure 9 Pallet Package Dimensions ..... 16

## List of Tables

---

Table 1	Absolute Maximum Ratings .....	9
Table 2	Typical Electrical Characteristics at 25 °C.....	9
Table 3	Typical Functional Characteristics at 25 °C.....	9
Table 4	Typical Broadband Performance Data (32 μS, 2% Pulsing) .....	10
Table 5	Critical Performance at P <sub>IN</sub> = 2.5 W (34 dBm) .....	10
Table 6	Component List 1011GN-250E/EL.....	12
Table 7	55-QQ Package Dimensions .....	14
Table 8	55-QQP Package Dimensions .....	15

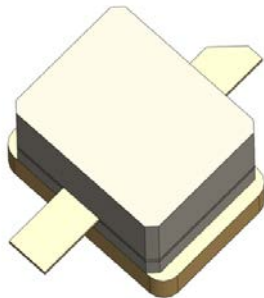
## 2 Product Overview

The 1011GN-250E/EL/EP is an internally matched, common source, Class AB, GaN on SiC HEMT transistor/pallet amplifier capable of providing over 20.5 dB typical gain, 250 W of pulsed RF output power under several pulse formats including mode-S ELM across the 1030 to 1090 MHz band. The transistor has internal pre-match for optimal performance and is hermetically sealed. Available in two package types, both the bolt-down flange 55-QQ package and the solder-down earless flange 55-QQP package, as well as mounted in a 50 Ω IN/OUT pallet, the transistor is designed specifically for IFF, Mode-S, TCAS, and avionics secondary radar applications, and it utilizes gold metallization and eutectic die attach to provide the highest reliability and superior ruggedness. Export Classification: EAR-99.

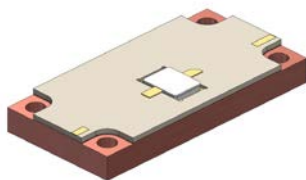
**Figure 1 Case Outline 55-QQ Common Source (0.160" × 0.550")**



**Figure 2 Case Outline 55-QQP Common Source (0.160" × 0.230")**



**Figure 3 Pallet Outline 50 Ω IN/OUT (0.600" × 1.200" × 0.150")**



### 2.1 Applications

The 1011GN-250E and 1011GN-250EL transistors and the 1011GN-250EP pallet are specifically designed for IFF, Mode-S, TCAS, and avionics secondary radar applications.

### 2.1.1 Key Features

The following are the key features of the 1011GN-250E/EL E-Class Earless/Eared GaN transistor:

- 1030–1090 MHz, 250 W pulsed output power, 32  $\mu$ S 2% pulsing
- Common source , Class AB, 50  $V_{DD}$  bias voltage
- High efficiency: >70% typical across the frequency band
- Extremely compact size
- High power gain: 20.5 dB typical
- Excellent gain flatness: 0.1 dB typical
- Ideal for IFF, Mode-S, TCAS, and avionics secondary radar applications
- Utilizes all-gold metallization and eutectic die attach for highest reliability
- 50  $\Omega$  IN/OUT lumped element, very small footprint, plug-and-play pallets available



## 3 Electrical Specifications

### 3.1 Absolute Maximum Ratings

The following table shows the absolute maximum ratings at 25 °C unless otherwise specified.

**Table 1 Absolute Maximum Ratings**

Rating		Value	Units
Maximum power dissipation	Device dissipation at 25 °C	460	W
Maximum voltage and current	Drain-Source voltage ( $V_{DS}$ )	125	V
	Gate-Source voltage ( $V_{GS}$ )	-8 to 0	V
Maximum temperatures	Storage temperature ( $T_{STG}$ )	-55 to 125	°C
	Operating junction temperature	200	°C

### 3.2 Electrical Characteristics at 25 °C

The following table shows the typical electrical characteristics at 25 °C.

**Table 2 Typical Electrical Characteristics at 25 °C**

Symbol	Characteristics	Test Conditions	Min	Typ	Max	Units
$P_{OUT}$	Output power	$P_{IN} = 2.5$ W, Freq = 1030, 1090 MHz	250	280		W
$G_P$	Power gain	$P_{IN} = 2.5$ W, Freq = 1030, 1090 MHz	20	20.5		dB
$\eta_D$	Drain efficiency	$P_{IN} = 2.5$ W, Freq = 1030, 1090 MHz	60	75		%
$Dr$	Droop	$P_{IN} = 2.5$ W, Freq = 1030, 1090 MHz		0.14	0.5	dB
VSWR-T	Load mismatch tolerance	$P_{OUT} = 250$ W, Freq = 1030 MHz, 32 $\mu$ S-2%			5:1	
$\Theta_{JC}$	Thermal resistance	32 $\mu$ S, 2% duty cycle			0.68	°C/W

**Bias Condition:**  $V_{DD} = +50$  V,  $I_{DQ} = 60$  mA constant current ( $V_{GS} = -2.0$  to  $-4.5$  V typical)

### 3.3 Functional Characteristics at 25 °C

**Table 3 Typical Functional Characteristics at 25 °C**

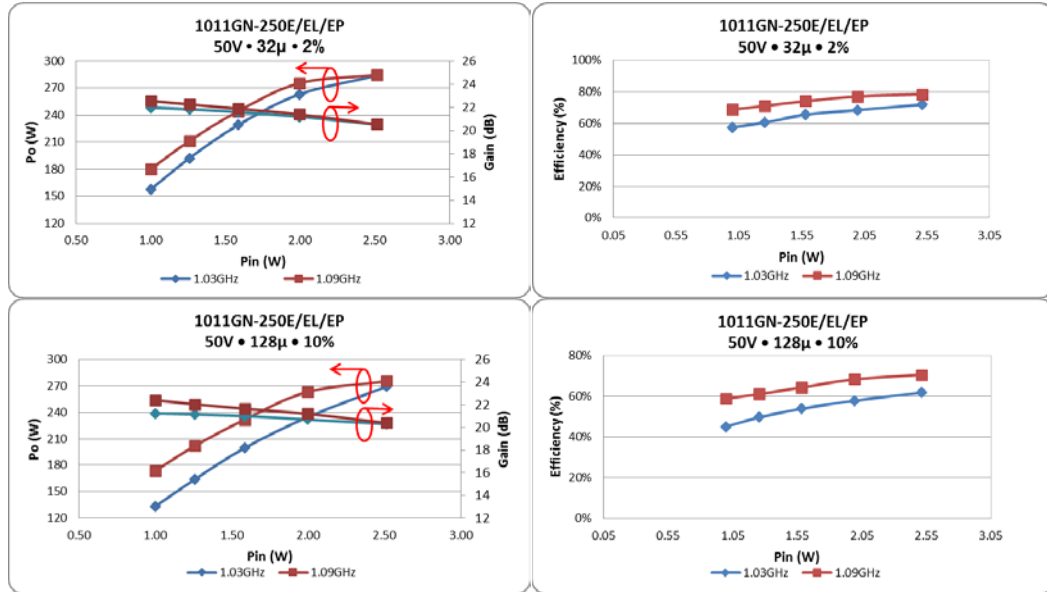
Symbol	Characteristic	Test Conditions	Min	Typ	Max	Units
$I_{D(off)}$	Drain leakage current	$V_{GS} = -8$ V, $V_D = 125$ V			24	mA
$I_{G(off)}$	Gate leakage current	$V_{GS} = -8$ V, $V_D = 0$ V			8	mA

### 3.4 Typical Broadband Performance Data (32 $\mu$ S, 2% Pulsing)

Table 4 Typical Broadband Performance Data (32  $\mu$ S, 2% Pulsing)

Frequency	P <sub>IN</sub> (W)	P <sub>OUT</sub> (W)	I <sub>D</sub> (mA)	IRL (dB)	$\eta_D$ (%)	G <sub>P</sub> (dB)	Droop (dB)
1030 MHz	2.5	284	0.20	-8.0	72	20.5	0.12
1090 MHz	2.5	283	0.18	-12.0	78	20.5	0.12

Figure 4 Typical Broadband Performance Data Graphs



### 3.5 Critical Performance at P<sub>IN</sub> = 2.5 W (34 dBm)

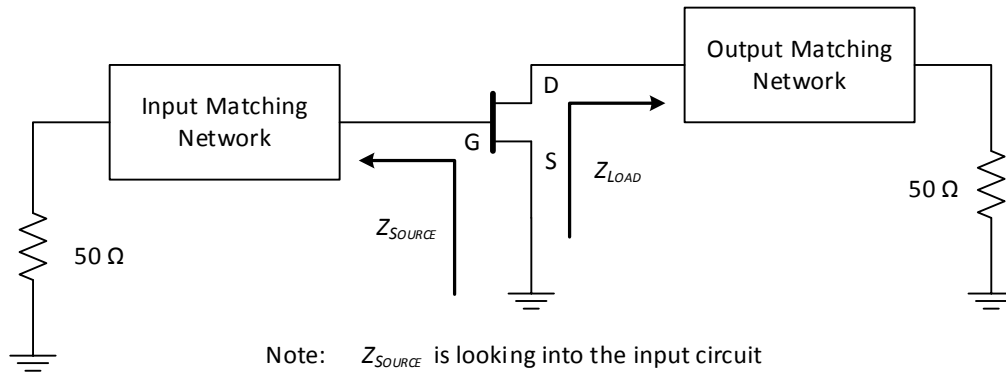
Table 5 Critical Performance at P<sub>IN</sub> = 2.5 W (34 dBm)

Freq (GHz)	Test Condition	P <sub>O</sub> (W)	Gain (dB)	Eff (%)	Droop (dB)
1.030	32 $\mu$ S – 2%	283	20.5	72	0.12
1.030	128 $\mu$ S – 10%	269	20.3	62	0.30
1.090	32 $\mu$ S – 2%	284	20.5	78	0.12
1.090	128 $\mu$ S – 10%	275	20.7	71	0.30

## 4 Transistor Impedance Information

The following diagram shows the transistor impedance information for 1011GN-250E/EL/EP.

**Figure 5 Impedance Definition**



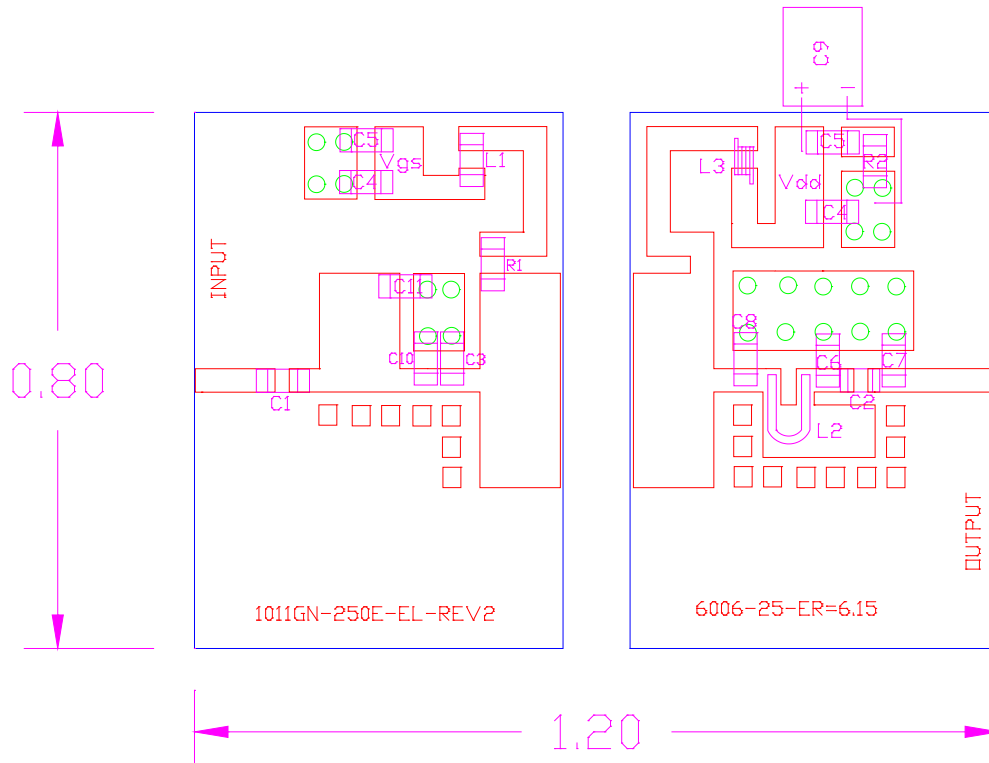
Note:  $Z_{SOURCE}$  is looking into the input circuit  
 $Z_{LOAD}$  is looking into the output circuit

For information about source and load impedances for 1011GN-250E/EL/EP, contact your Microsemi representative.

## 5 Transistor Test Information

### 5.1 Transistor Test Circuit Diagram

Figure 6 Transistor Test Circuit



The board material is Rogers Duroid 6006, 0.250" thickness, and  $\epsilon_r = 6.15$ .

The following table lists the components for 1011GN-250E/EL.

Table 6 Component List 1011GN-250E/EL

Item	Description	Value
C1	Chip capacitor A size – ATC 600S series	68 pF
C2	Chip capacitor A size – ATC 600S series	68 pF
C3	Chip capacitor A size – ATC 600S series	9.1 pF
C4	Chip capacitor A size	470 pF
C5	Chip capacitor B size	4.7 uF
C6	Chip capacitor A size – ATC 600S series	5.6 pF
C7	Chip capacitor A size	2 to 2.5 pF
C8	Chip capacitor A size – ATC 600S series	1.2 pF
C9	Electrolytic capacitor (63 V)	470 uF
C10	Chip capacitor A size – ATC 600S series	6.8 pF
C11	Chip capacitor A size – ATC 600S series	1.2 pF

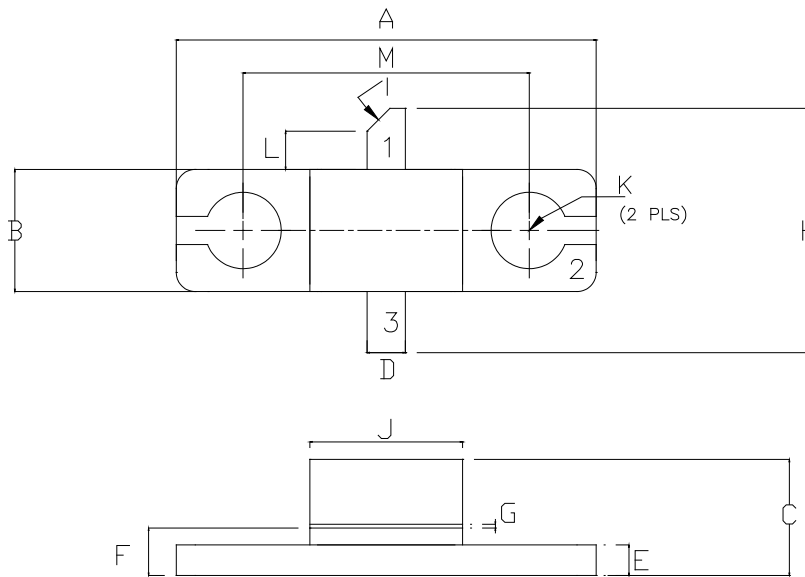
Item	Description	Value
R1	Chip resistor size 0805	40.2 $\Omega$
R2	Chip resistor size 0805	5.1 $\Omega$
L1	Chip inductor size 0805	47 nH
L2	24 AWG Cu wire, Diameter = 0.07"	1 Turn
L3	24 AWG Cu wire, Length = 0.280"	U Shape

## 6 Product Outline and Terminal Information

The 1011GN-250E transistor is available in the 55-QQP case outline and the 1011GN-250EL transistor is available in the 55-QQP case outline. The 1011GN-250EP is available in the 90-1011GN-250EP pallet outline. All three products are configured for common source operation.

### 6.1 55-QQ Common Source Package Dimensions and Terminal Information

Figure 7 55-QQ Package Dimensions and Terminal Information



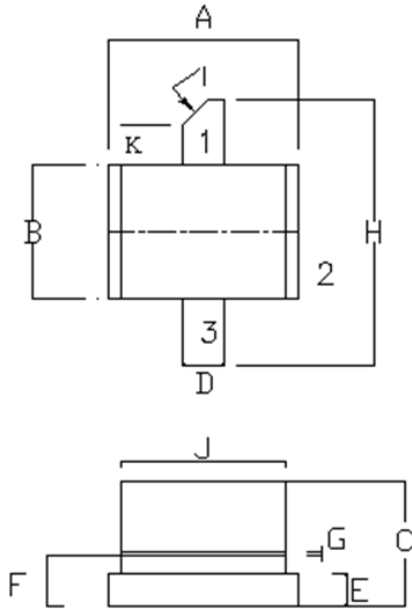
Pin 1: Drain, Pin 2: Source, Pin 3: Gate

Table 7 55-QQ Package Dimensions

Dim	Millimeters	Tol	Inches	Tol
A	13.970	0.250	0.550	0.010
B	4.570	0.250	0.160	0.010
C	3.860	0.330	0.152	0.013
D	1.270	0.130	0.050	0.005
E	1.020	0.130	0.040	0.005
F	1.700	0.130	0.067	0.005
G	0.130	0.025	0.005	0.001
H	8.130	0.250	0.320	0.010
I	45°	5°	45°	5°
J	5.080	0.250	0.200	0.010
K	2.54 DIA	0.130	0.100 DIA	0.005
L	1.270	0.130	0.050	0.005
M	9.530	0.130	0.375	0.005

## 6.2 55-QQP Common Source Package Dimensions and Terminal Information

Figure 8 55-QQP Package Dimensions and Terminal Information



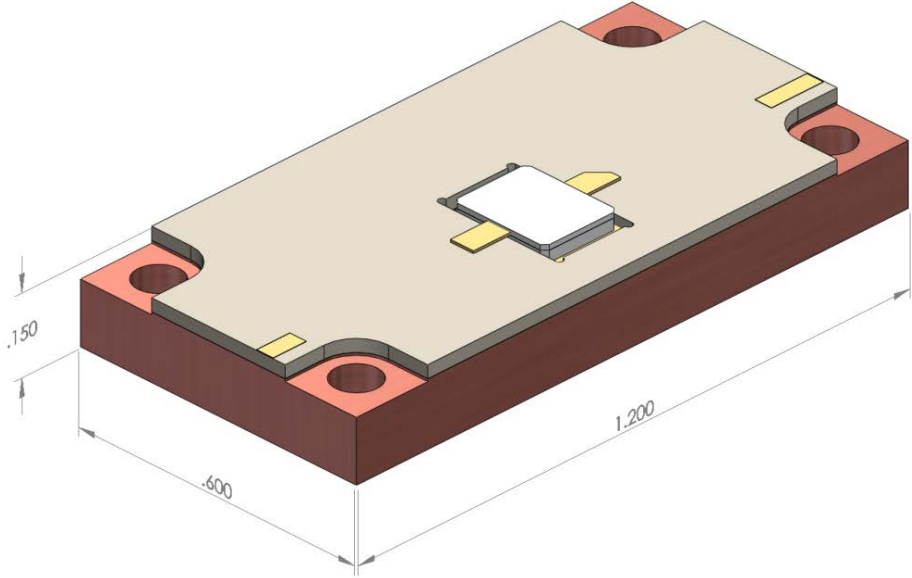
Pin 1: Drain, Pin 2: Source, Pin 3: Gate

Table 8 55-QQP Package Dimensions

Dim	Millimeters	Tol	Inches	Tol
A	5.840	0.250	0.230	0.010
B	4.060	0.250	0.160	0.010
C	3.170	0.050	0.125	0.002
D	1.270	0.130	0.050	0.005
E	1.020	0.130	0.040	0.005
F	1.570	0.130	0.062	0.005
G	0.130	0.020	0.005	0.001
H	8.120	0.250	0.320	0.010
I	45°	5°	45°	5°
J	5.080	0.250	0.200	0.010
K	1.400	0.130	0.055	0.005

### 6.3 Overall Pallet Dimensions

Figure 9 Pallet Package Dimensions



Dimensions 1.200" × 0.600" × 0.150"