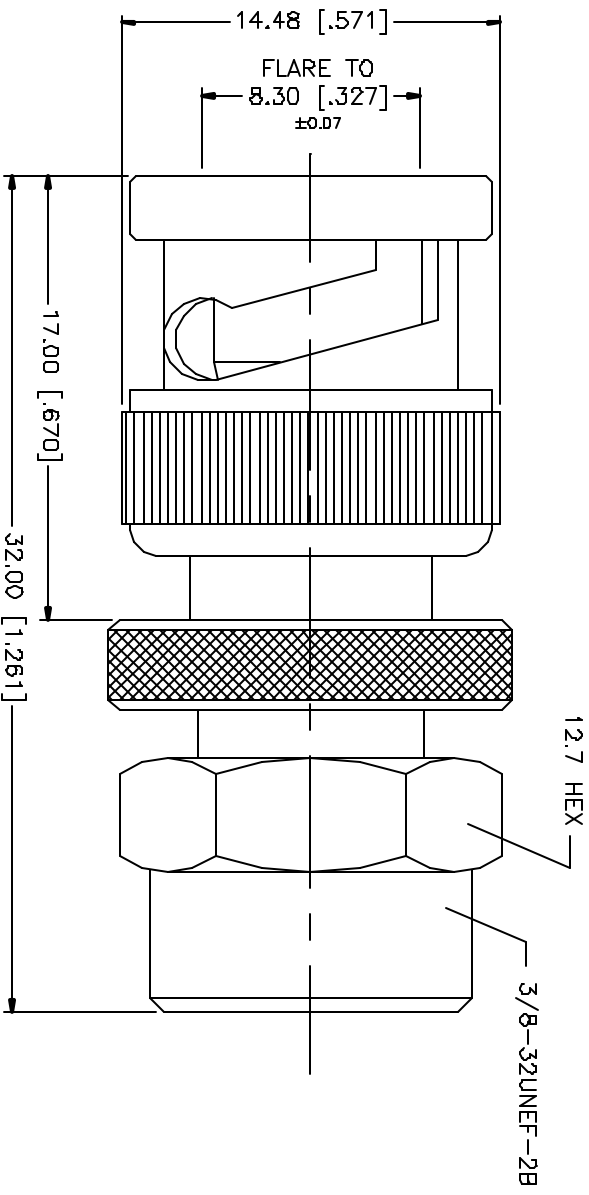


REV.	DATE	DESCRIPTION
NC	11/10/04	INITIAL RELEASE



QTY	FINISH	MATERIAL	DESCRIPTION
1	NICKEL	BRASS	INSULATOR BODY
1	NATURAL	BRASS	CONTACT PIN
1	NICKEL	BRASS	INSULATOR BODY
1	NATURAL	BRASS	CONTACT PIN

DATE	APPROVALS	APP'D BY
11/10/04	G.R.S.	

DWG. NO.	REV.	SIZE	SCALE
242160.DWG	A	A	NA

PART NO.	DESCRIPTION
242160	BNC PLUG TO F PLUG ADAPTER

UNLESS OTHERWISE SPECIFIED, DIMENSIONS ARE IN MILLIMETERS UNLESS INDICATED OTHERWISE IN PARENTHESES. DIMENSIONS ARE GIVEN TO THE NEAREST DECIMAL UNLESS INDICATED OTHERWISE. DIMENSIONS ARE GIVEN TO THE NEAREST DECIMAL UNLESS INDICATED OTHERWISE.

DWG. FILE: C:/242/242160.DWG