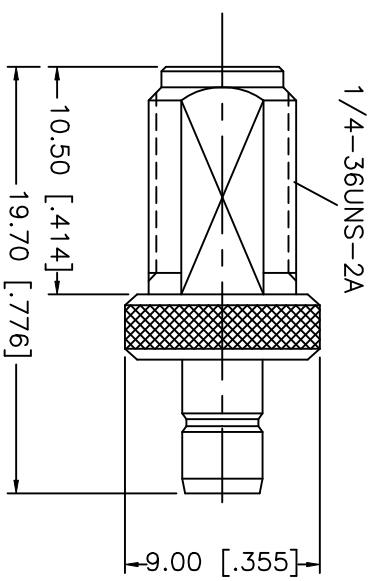
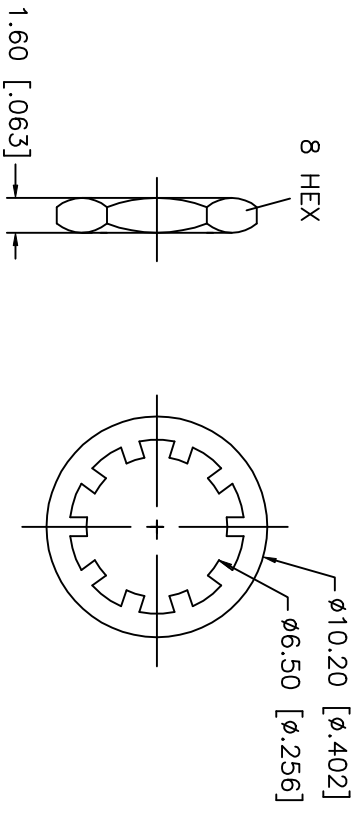
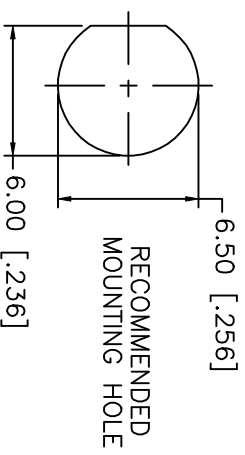


REV.	DATE	DESCRIPTION
NC	08/28/02	INITIAL RELEASE



NOTE:
1. MAX. PANEL THICKNESS = 2.4mm

8			UNLESS OTHERWISE SPECIFIED DIMENSIONS ARE IN MILLIMETERS	APPROVALS	DATE	TITLE			
7			DIMENSIONS IN [] ARE IN INCHES FOR CUSTOMER REFERENCE ONLY	DRAWN	08/28/02	Amphenol - Connex CONNECTOR CORPORATION SMA BULKHEAD JACK TO SMB JACK ADAPTOR			
6				CHECKED					
5	HEX NUT	BRASS	GOLD	ISSUED					
4	LOCK WASHER	BRASS	GOLD			SIZE	FSCM NO.	DWG. NO.	REV.
3	CONTACT PIN	BER. COPPER	GOLD			A	99001	242182.DWG	NC
2	INSULATOR	TEFLON	NATURAL			SCALE	NA	242182	SHEET
1	BODY	BRASS	GOLD						1 OF 1
	DESCRIPTION	MATERIAL	FINISH	DO NOT SCALE DRAWING					