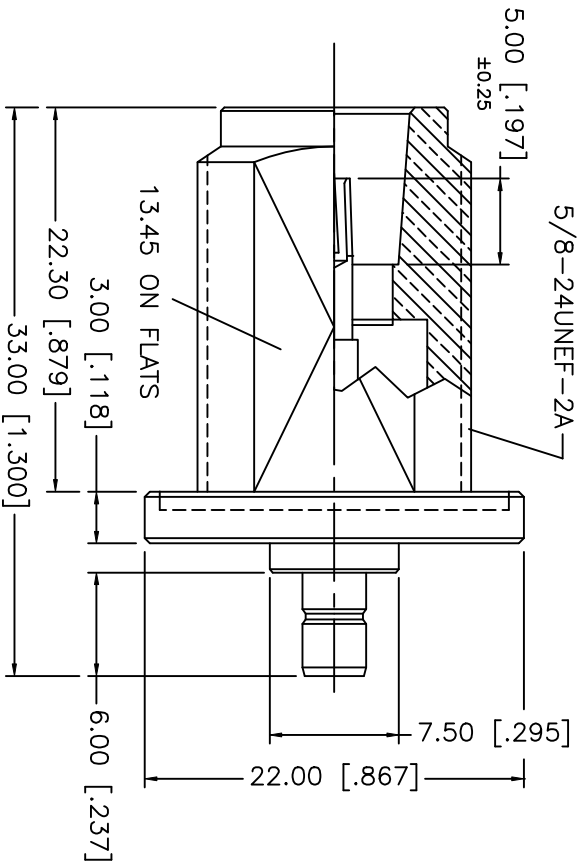
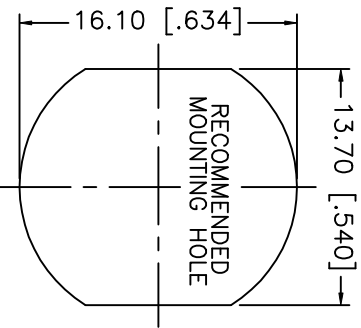
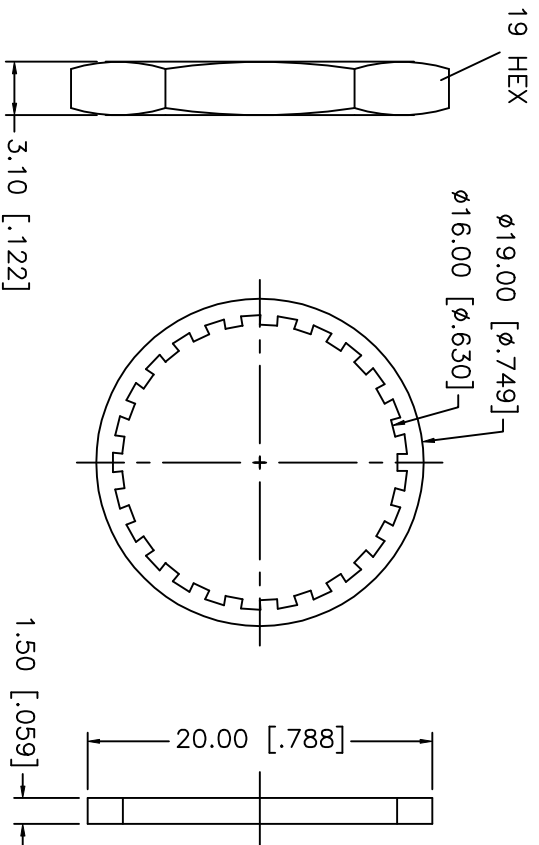


REV.	DATE	DESCRIPTION
NC	03/31/02	INITIAL RELEASE



NOTE:
1. MAX. PANEL THICKNESS = 6.8mm

8	HEX NUT	BRASS	NICKEL	UNLESS OTHERWISE SPECIFIED DIMENSIONS ARE IN MILLIMETERS DIMENSIONS IN [] ARE IN INCHES FOR CUSTOMER REFERENCE ONLY	UNLESS OTHERWISE SPECIFIED TOLERANCES FOR INCHES ARE: .XXX = ± 0.005" .XX = ± 0.010" .X = ± 0.020"	DO NOT SCALE DRAWING
7	LOCK WASHER	BRASS	NICKEL			
6	GASKET	SILICONE	RED			
5	BODY	BRASS	NICKEL			
4	CONTACT PIN	BER. COPPER	GOLD			
3	INSULATOR	TEFLON	NATURAL			
2	HOUSING	BRASS	NICKEL			
1	DESCRIPTION	MATERIAL	FINISH			

APPROVALS	DATE	TITLE
DRAWN G.R.S.	03/31/02	N BULKHEAD JACK TO SMB JACK ADAPTOR
CHECKED		
ISSUED		

SIZE	FSCH. NO.	DWG. NO.	REV.
A	99001	242183.DWG	NC

SCALE	PART NO.	SHEET
NA	242183	1 OF 1

Amphenol - Connex
CONNECTOR CORPORATION