

# Adapters, Between-Series

## Type N / SMA, Economy, DC - 6 GHz

### SPECIFICATIONS:

Models: 5061, 5062, 5063, 5064

#### Electrical:

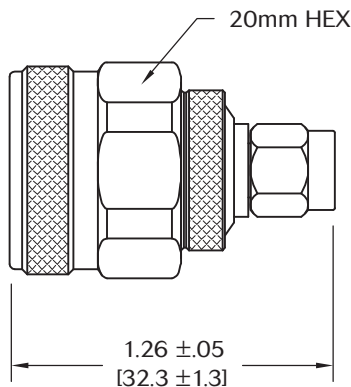
Frequency Range \_\_\_\_\_ DC - 6.0 GHz  
 VSWR \_\_\_\_\_ 1.25:1 Max.  
 Impedance \_\_\_\_\_ 50 Ohms  
 Operating Temp Range \_\_\_\_\_ -45°C to +120°C

#### Mechanical:

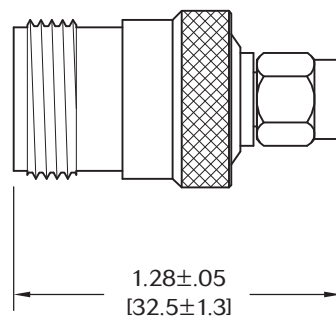
Connectors \_\_\_\_\_ Plated Brass  
 Conductors \_\_\_\_\_ Gold Plated Brass or Beryllium Copper

**AEROFLEX**  
 A passion for performance.

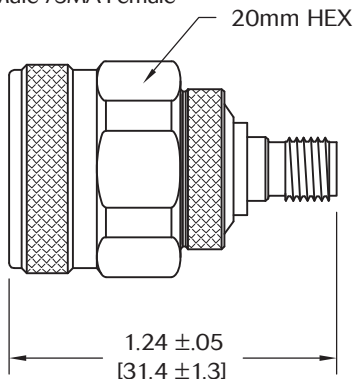
Model Number: 5061  
 Type N Male /SMA Male



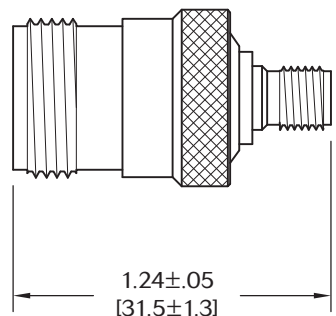
Model Number: 5062  
 Type N Female /SMA Male



Model Number: 5063  
 Type N Male /SMA Female



Model Number: 5064  
 Type N Female /SMA Female



Note: Dimensions in Brackets are Expressed in Millimeters and are for Reference Only.  
 Design specifications are subject to change without notice.  
 Contact factory for technical specifications before purchasing or use.

5061: REV E

**AEROFLEX**  
**INMET**

Aeroflex / Inmet, Inc. • 300 Dino Drive, Ann Arbor, MI 48103 • U.S.A.  
 888-244-6638 or 734-426-5553 • FAX: 734-426-5557  
 www.aeroflex-inmet.com • inmet-sales@aeroflex.com