

ADAPTERS, IN-SERIES

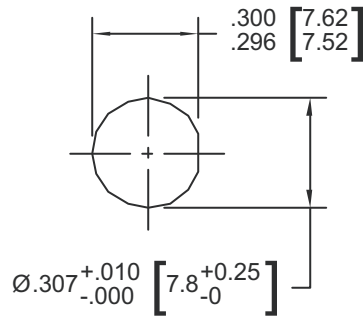
2.4mm, DC - 50 GHz, Bulkhead Mount

SPECIFICATIONS:

Models: 5221

RoHS
Compliant

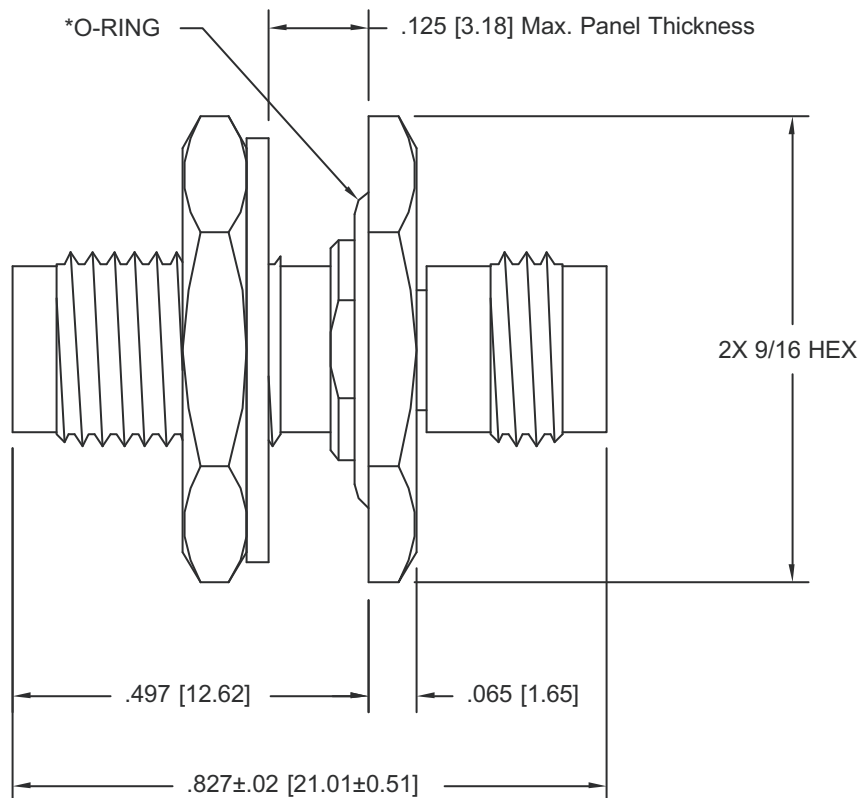
Electrical:	
Frequency Range	DC - 50 GHz
VSWR	
DC - 18 GHz	1.10:1 Max.
18 - 26.5 GHz	1.20:1 Max.
26.5 - 40 GHz	1.30:1 Max.
40 - 50 GHz	1.35:1 Max.
Impedance	50 Ohms
Operating Temp Range	-65°C to +125°C
Mechanical:	
2.4mm Connectors	Passivated Stainless Steel
Conductors	Gold Plated Beryllium Copper
Nut & Washer:	Passivated Stainless Steel
O-Ring	Silicone Rubber



Recommended Mounting Hole

Model Number: **5221**
*Includes O-Ring as Shown

Model Number: **5222**
No O-Ring Included



Note: Dimensions in Brackets are Expressed in Millimeters and are for Reference Only.

5221: REV B



Aeroflex / Inmet, Inc. • 300 Dino Drive, Ann Arbor, MI 48103 • U.S.A.
888-244-6638 or 734-426-5553 • FAX: 734-426-5557
www.aeroflex-inmet.com • inmet-sales@aeroflex.com