

# ADAPTERS, IN-SERIES

## SMA , DC - 18 GHz, Flange Mount



### SPECIFICATIONS:

Models: 5311, 5312, 5313

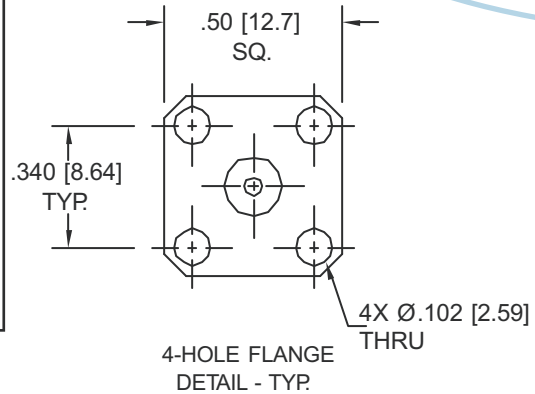
**RoHS**  
Compliant

#### Electrical:

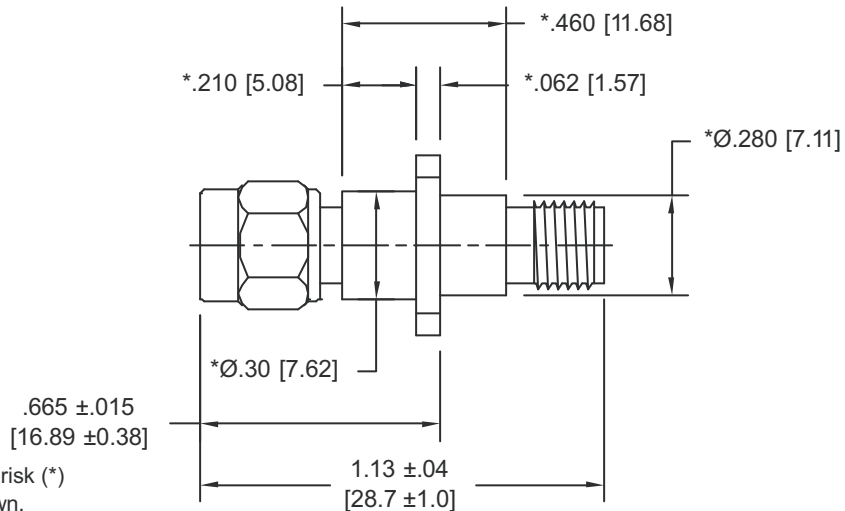
Frequency Range \_\_\_\_\_ DC - 18.0 GHz  
 VSWR  
 DC - 4 GHz \_\_\_\_\_ 1.10:1 Max.  
 4 - 8 GHz \_\_\_\_\_ 1.15:1 Max.  
 8 - 18 GHz \_\_\_\_\_ 1.25:1 Max.  
 Impedance \_\_\_\_\_ 50 Ohms  
 Operating Temp Range \_\_\_\_\_ -65°C to +125°C

#### Mechanical:

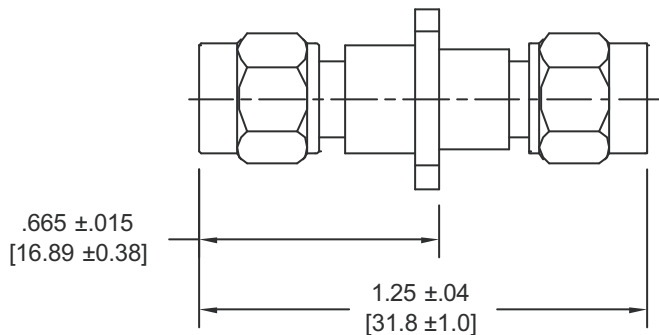
Connectors \_\_\_\_\_ Passivated Stainless Steel  
 (Mates with MIL-STD-348)  
 Conductors \_\_\_\_\_ Gold Plated Beryllium Copper



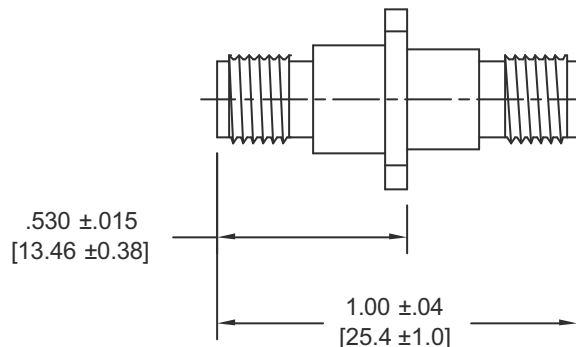
Model Number: **5311**  
Male/Female Connector



Model Number: **5312**  
Male/Male Connector



Model Number: **5313**  
Female/Female Connector



Note: Dimensions in Brackets are Expressed in Millimeters and are for Reference Only.

5311: REV F

