

NAME: 501221413 OBJECT: CAPACITOR_ASSEMBLY DATE: 25-Nov-05 12:54:03

14

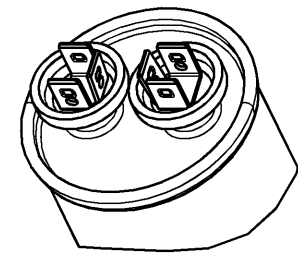
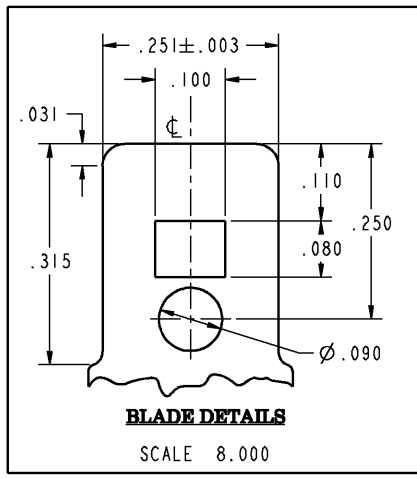
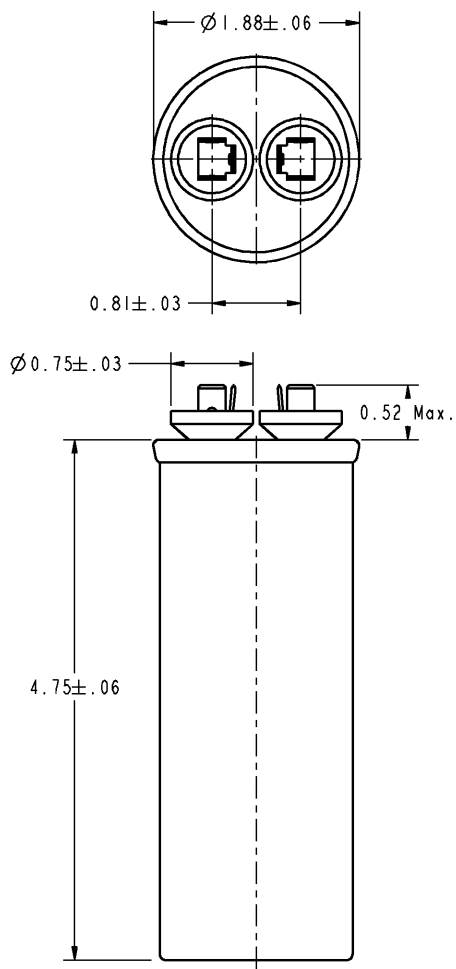
13

12

SIZE C DRAWING NO. 97F8042 REV 1 SHEET 1

RBC PROPRIETARY AND CONFIDENTIAL INFORMATION
 This document is the property of REGAL BELOIT CORPORATION ("RBC") including its subsidiaries and divisions and contains proprietary information of RBC. This document is loaned on the express condition that neither it nor the information contained hereon shall be disclosed in whole or in part without the express written consent of RBC, and that the information shall be used by the recipient only as approved expressly by RBC. This document shall be returned to RBC upon its request. This document may be subject to certain restrictions under U.S. export control laws and regulations.

REVISIONS		
REV.	DESCRIPTION	DATE
1	Modified per ECN NO. 0627.	11/11/05
		APPROVED HV



SCALE 1.500

SPECIFICATIONS :

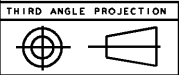
"GEM-III Capacitors are manufactured with High Grade Metallized Polypropylene Film"

Main Capacitance	: 50.00 μ F \pm 6%
Secondary Capacitance	: NIL
Volts	: 240AC
Leakage Current	: 30 μ A Max.
Frequency	: 50/60 HZ
Operating Temperature	: -40 DEG C TO 70 DEG C
Storage Temperature	: -40 DEG C TO 90 DEG C
Operative Life	: 60,000 HRS WITH 94% SURVIVAL
Dissipation Factor	: 0.1% MAX.
Case Material	: ALUMINIUM
Cover Material	: TERNPLATE
Terminals	: 0.250" x 0.031" Quick Connect Blades
Dielectric Fluid	: DIELEKTROL VI
Internal Protection	: UL RECOGNIZED PRESSURE SENSITIVE INTERRUPTER

↓

B

A



FOR ADDITIONAL INFO REFER TO:	SIGNATURES	DATE
APPLIED PRACTICES	MODEL RAGHU.P.H	05/22/03
UNLESS OTHERWISE SPECIFIED DIMENSIONS ARE IN INCHES	DETAIL RAGHU.P.H	05/22/03
TOLERANCE ON:	CHECKED RAGHU.P.H	05/26/03
1 PL DECIMALS \pm 0.1	ENGRG	-
2 PL DECIMALS \pm 0.01	MFG	-
3 PL DECIMALS \pm 0.001	QUALITY	-
ANGLES \pm 0.5	ISSUED	-
FRACTIONS \pm		
FINISH	✓	
MATERIAL	SOLID MODEL: CAPACITOR_ASSEMBLY	



REGAL-BELOIT CORPORATION

**GEM III CAPACITOR
OUTLINE DRAWING**

TITLE	SIZE C	DRAWING	REV 1
	97F8042		
SCALE: 1.250	REF. No: .	SHEET 1 OF 1	

14

13

12

11

↑