

NAME: 501221413 OBJECT: 2T_CAPACITOR_ASM DATE: 18-Nov-05 20:02:23

14

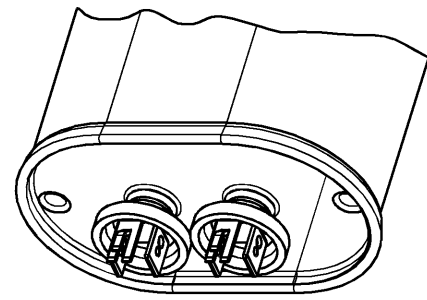
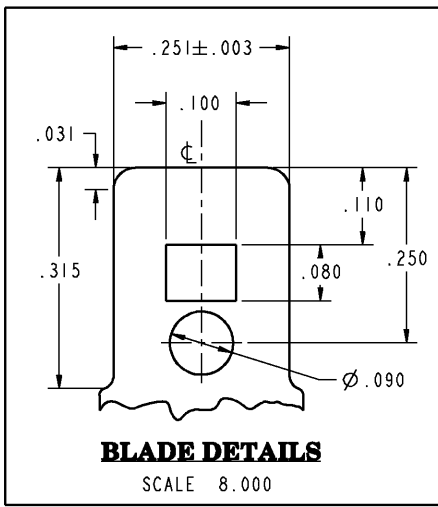
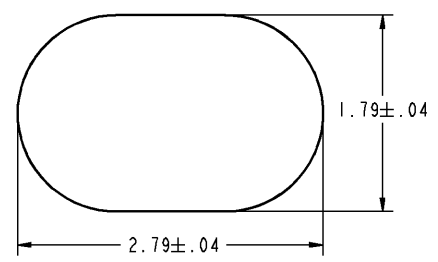
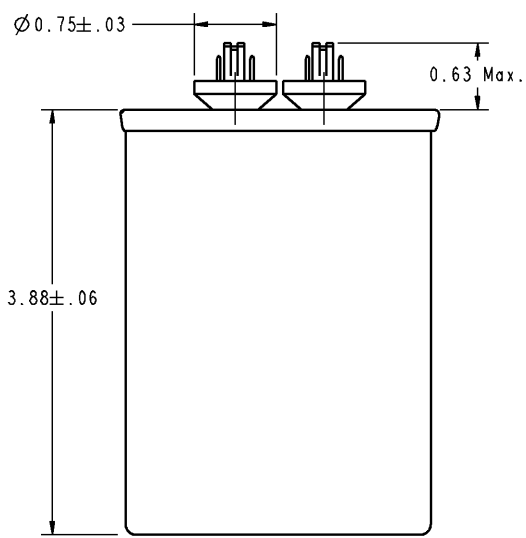
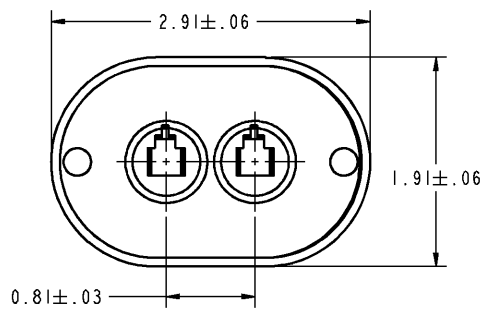
13

12

SIZE C DRAWING NO. 97F6622RC REV 1 SHEET 1

RBC PROPRIETARY AND CONFIDENTIAL INFORMATION
 This document is the property of REGAL BELOIT CORPORATION ("RBC") including its subsidiaries and divisions and contains proprietary information of RBC. This document is loaned on the express condition that neither it nor the information contained therein shall be disclosed to others without the express written consent of RBC, and that the information shall be used by the recipient only as approved expressly by RBC. This document shall be returned to RBC upon its request. This document may be subject to certain restrictions under U.S. export control laws and regulations.

| REVISIONS | | | DATE | APPROVED |
|-----------|----------------------------|--|----------|----------|
| REV. | DESCRIPTION | | | |
| 1 | Modified per ECN NO. 0627. | | 11/11/05 | HV |

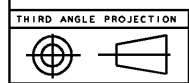


SCALE 1.500

SPECIFICATIONS :

"GEM-III Capacitors are manufactured with High Grade Metallized Polypropylene Film"

| | |
|-----------------------|--|
| Main Capacitance | : 24.00µF ±3% |
| Secondary Capacitance | : NIL |
| Volts | : 400AC |
| Leakage Current | : 30µA Max. |
| Frequency | : 50/60 HZ |
| Operating Temperature | : -40 DEG C TO 90 DEG C |
| Storage Temperature | : -40 DEG C TO 90 DEG C |
| Operative Life | : 60,000 HRS WITH 94% SURVIVAL |
| Dissipation Factor | : 0.1% MAX. |
| Case Material | : ALUMINIUM |
| Cover Material | : TERNPLATE |
| Terminals | : 0.250"x0.031" Quick Connect Blades |
| Dielectric Fluid | : DIELEKTROL VI |
| Internal Protection | : UL RECOGNIZED PRESSURE SENSITIVE INTERRUPTER |



| FOR ADDITIONAL INFO REFER TO: | SIGNATURES | DATE |
|---|------------------------------|----------|
| APPLIED PRACTICES | .. | 09/13/04 |
| UNLESS OTHERWISE SPECIFIED DIMENSIONS ARE IN INCHES | DETAIL RAGHU.P.H | 09/13/04 |
| TOLERANCE ON: | CHECKED RAGHU.P.H | 09/13/04 |
| 1 PL DECIMALS ± 0.1 | ENGRG | - |
| 2 PL DECIMALS ± 0.001 | MFG | - |
| 3 PL DECIMALS ± 0.001 | QUALITY | - |
| ANGLES ± 0.5 | ISSUED | - |
| FRACTIONS ± | | |
| FINISH | ✓ | |
| MATERIAL | SOLID MODEL: 2TCAPAC1TOR_ASM | |

REGAL BELOIT CORPORATION

GEM III CAPACITOR OUTLINE DRAWING

SIZE C DRAWING 97F6622RC REV 1

SCALE: 1.250 REF. No: SHEET 1 OF 1

14

13

12

11