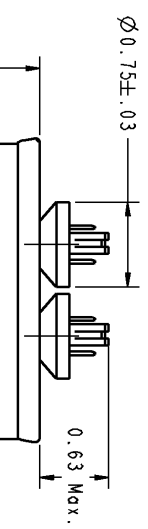
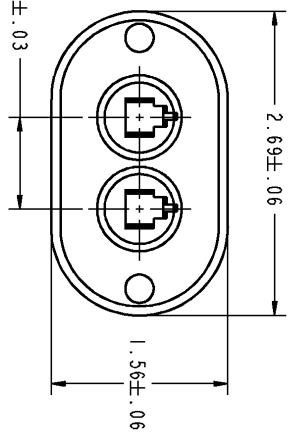
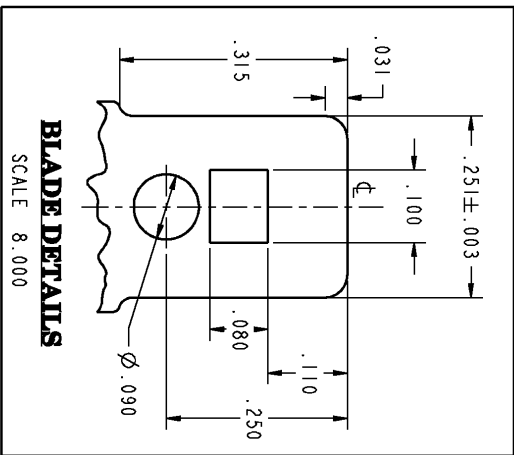
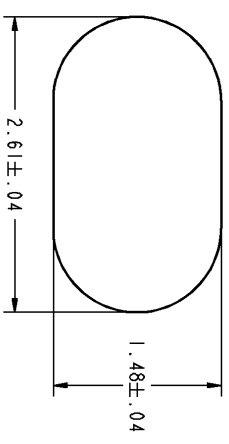


RBC PROPRIETARY AND CONFIDENTIAL INFORMATION
 This document is the property of REGAL BELOIT CORPORATION ("RBC"). It includes RBC's confidential information and is intended for the use of the recipient only. It is not to be distributed, copied, or otherwise used without the prior written consent of RBC. This document shall be returned to RBC upon request. RBC shall not be held responsible for any loss or damage to this document or its contents. RBC shall not be held responsible for any errors or omissions in this document.

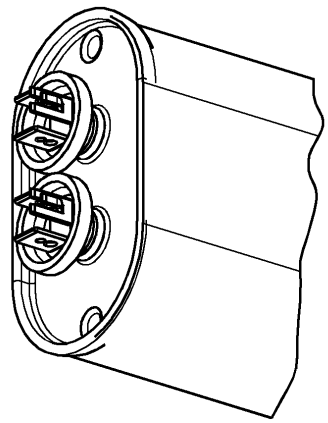
REV.	DESCRIPTION	DATE	APPROVE
1	Modified per ECM NO. 0827.	11/11/05	HV



4.75 ± .06



BLADE DETAILS
SCALE 8.000



SCALE 1.500

SPECIFICATIONS:

"GEM-III Capacitors are manufactured with High Grade Metallized Polypropylene Film"

Main Capacitance	: 56.00µF ±3%
Secondary Capacitance	: NIL
Volts	: 240AC
Leakage Current	: 30µA Max.
Frequency	: 50/60 HZ
Operating Temperature	: -40 DEG C TO 90 DEG C
Storage Temperature	: -40 DEG C TO 90 DEG C
Operative Life	: 60,000 HRS WITH 94% SURVIVAL
Dispersion Factor	: 0.1% MAX.
Case Material	: ALUMINUM
Cover Material	: TERNPLATE
Terminals	: 0.250"X0.031" Quick Connect Blades
Dielectric Fluid	: DIELEKTROL VI
Internal Protection	: UL RECOGNIZED PRESSURE SENSITIVE INTERRUPTER

FOR ADDITIONAL INFO REFER TO:		SIGNATURES		DATE
APPROVED	REGAL BELOIT CORPORATION	RAHBU P.H	09/13/04	
DESIGNED	REGAL BELOIT CORPORATION	RAHBU P.H	09/13/04	
CHECKED	REGAL BELOIT CORPORATION	RAHBU P.H	09/13/04	
DRAWN	REGAL BELOIT CORPORATION			
DATE	REGAL BELOIT CORPORATION			
ISSUED	REGAL BELOIT CORPORATION			

GEM III CAPACITOR
OUTLINE DRAWING

97F6665 REV 1

MATERIAL	SOLID MODEL: 3704/PART100.45W	SCALE: 1.250	REF. NO.	SHEET 1 OF 1
----------	-------------------------------	--------------	----------	--------------

