



AMERICAN TECHNICAL CERAMICS
RF / Microwave / Millimeter-wave Component Solutions

ATC Ultra-Broadband Inductors



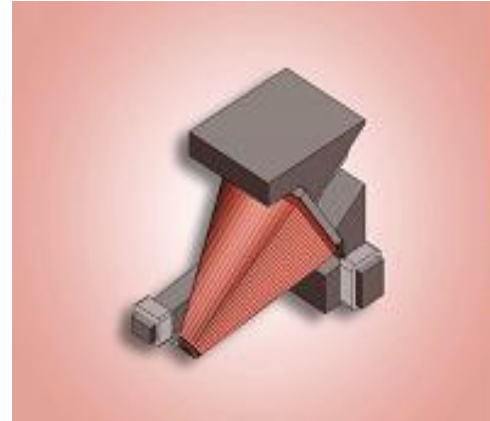
An Arrow Company

ATC Ultra-Broadband Inductors



Advantages:

- Ultra-broadband performance
- Ultra-low insertion loss
- Excellent return loss through 40 GHz
- Unit-to-unit performance Repeatability
- Rugged powdered ceramic core
- Higher inductance/current per size



RichardsonRFPD

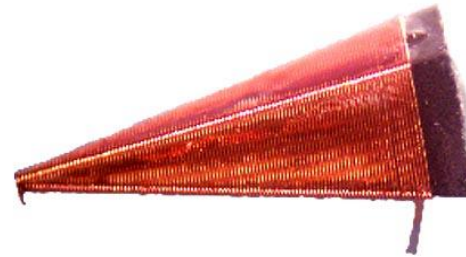
An Arrow Company

ATC Ultra-Broadband Inductors



Flying Lead UBL Features

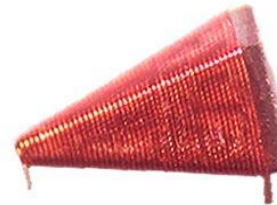
- 500 KHz – 40 GHz
- Gold plated wire
- Solderable
- Bondable
- Epoxy attach



Inductance 11 μ H
Series Resistance .. 7.5 Ω
Rated Current 115 mA
Number of Turns .. 110
Wire Size (AWG) .. #47



Inductance 6 μ H
Series Resistance .. 2.6 Ω
Rated Current 200 mA
Number of Turns .. 80
Wire Size (AWG) .. #44



Inductance 2.2 μ H
Series Resistance .. 1.4 Ω
Rated Current 250 mA
Number of Turns .. 44
Wire Size (AWG) .. #44



RichardsonRFPD

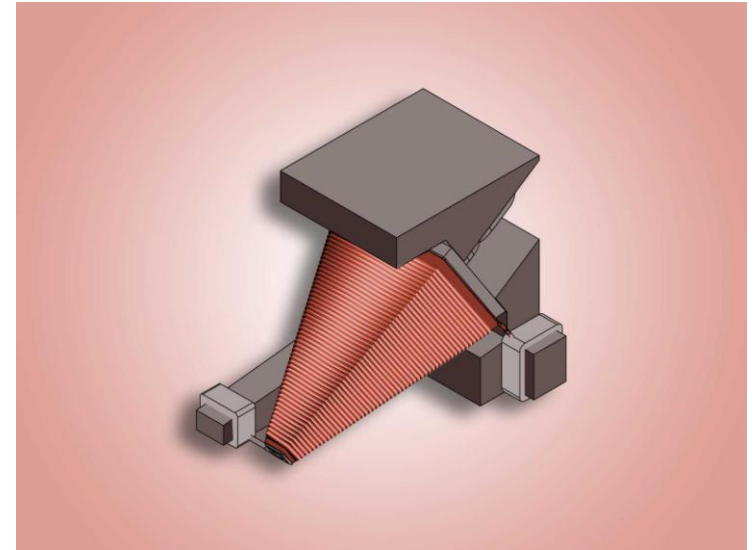
An Arrow Company

ATC Ultra-Broadband Inductors



Surface Mount Features:

- Operating frequency: to 40 GHz
- Insertion loss: < 0.5 dB typical
- Return Loss: 17dB typical
- Operating temperature: -40°C to 85°C
- Gold Plated Leads: 20- μ in nominal
- Lead-Free, RoHS Compliant



RichardsonRFPD

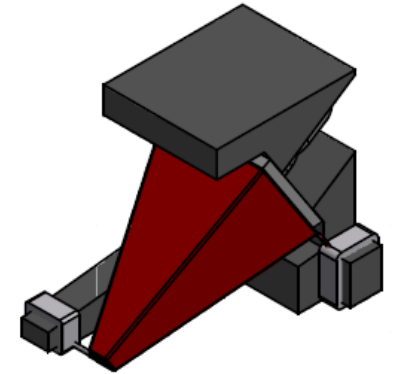
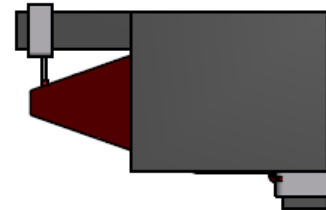
An Arrow Company

ATC Ultra-Broadband Inductors

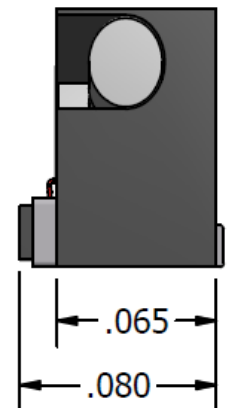
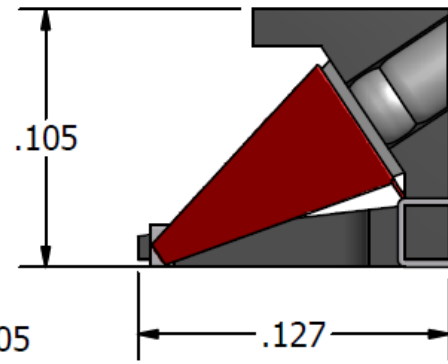
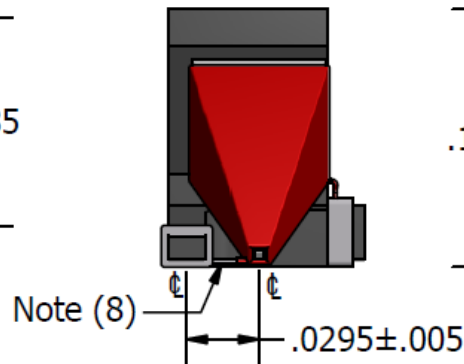
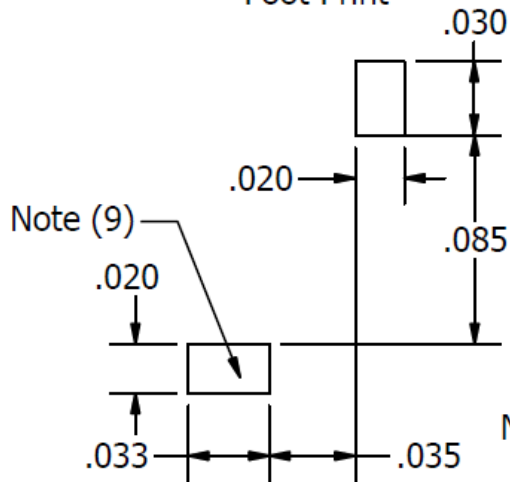


506WLSM Dimensions:

IND μH	Current mA	DCR ohms
0.47	815	0.19
0.70	619	0.32
1.10	438	0.64
2.00	277	1.60
3.80	182	3.70



Recommended
Foot Print

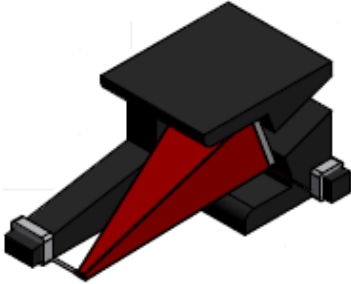
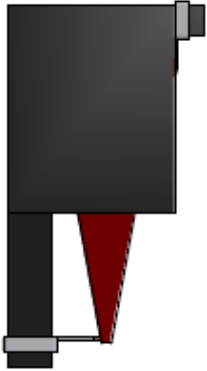


ATC Ultra-Broadband Inductors



**506WLSN
Dimensions:**

IND μH	Current mA	DCR ohms
2.00	494	0.65
3.30	350	1.29
6.00	236	2.85
10.70	150	7.10



Recommended Foot Print

