

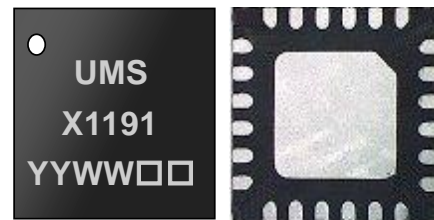
## 13.5-40.5GHz Frequency Multiplier

### GaAs Monolithic Microwave IC

#### Description

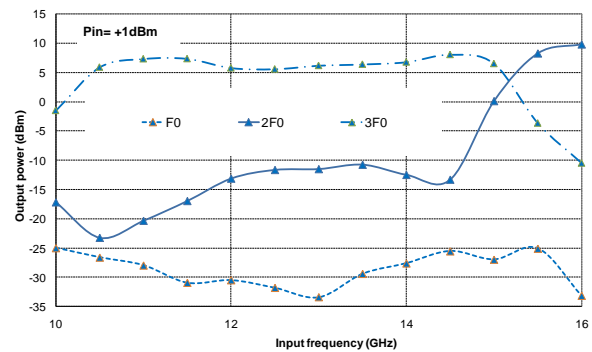
UMS develops a packaged monolithic time three multiplier which integrates input and output buffer. This circuit is a very versatile multiplier for telecommunication and specifically for E-band LO chain. Moreover it is proposed in standard surface mount package and integrates ESD protection. The overall power supply is of +5V/ 80mA.

It is developed on a robust 0.15 $\mu$ m gate length pHEMT process, and will be available in a standard SMD package.



#### Main Features

- Broadband performances: 11-14.5GHz
- 6dBm Pout for +1dBm input power
- DC bias: V+=5 Volts, V- = -5V@Id=80mA
- 24L-QFN4x4



#### Main Electrical Characteristics

Tamb.= +25°C

Symbol	Parameter	Min	Typ	Max	Unit
Fin	Input frequency range	11		14.5	GHz
Fout	Output frequency range	33		43.5	GHz
Pin	Input power		+1		dBm
Pout	3rd harmonic output power		6		dBm

**Electrical Characteristics**

Tamb.= +25°C, V+ = +5.0V

Symbol	Parameter	Min	Typ	Max	Unit
Fin	Input frequency range	11.0		14.5	GHz
Fout	Output frequency range	33.0		43.5	GHz
Pin	Input power		+1		dBm
Pout_H3	3rd harmonic output power		6		dBm
Rej_H1	Fundamental rejection		35		dBc
Rej_H2	2nd harmonic rejection		16		dBc
RL_in	Input return loss		-12		dB
RL_out	Output return loss		-14		dB
V+	DC positive voltage		+5		V
V-	DC negative voltage		-5		V
Id	DC current		80		mA

These values are representative of onboard measurements as defined on the drawing in paragraph "Evaluation mother board".

**Absolute Maximum Ratings <sup>(1)</sup>**

Tamb.= +25°C

Symbol	Parameter	Values	Unit
V+	Positive bias voltage	5.5	V
V-	Negative bias current	-6	V
Id	DC current	120	mA
Pin	Maximum input power	+6	dBm
Tj	Junction temperature	175	°C
Ta	Operating temperature range	-40 to +85	°C
Tstg	Storage temperature range	-55 to +150	°C

<sup>(1)</sup> Operation of this device above anyone of these parameters may cause permanent damage.

## Device thermal performances

All the figures given in this section are obtained assuming that the QFN device is cooled down only by conduction through the package thermal pad (no convection mode considered). The temperature is monitored at the package back-side interface (Tcase) as shown below. The system maximum temperature must be adjusted in order to guarantee that Tcase remains below than the maximum value specified in the next table. So, the system PCB must be designed to comply with this requirement.

A derating must be applied on the dissipated power if the Tcase temperature can not be maintained below than the maximum temperature specified (see the curve Pdiss. Max) in order to guarantee the nominal device life time (MTTF).

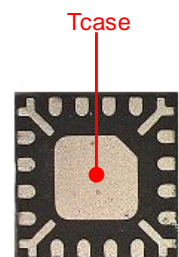
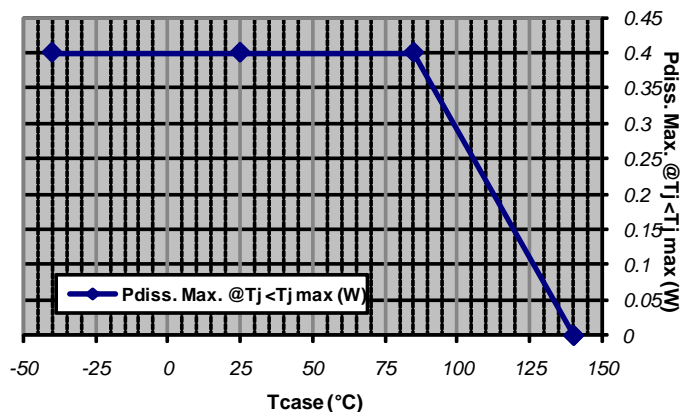
### DEVICE THERMAL SPECIFICATION : CHX1191-QDG

Recommended max. junction temperature (Tj max)	: 140 °C
Junction temperature absolute maximum rating	: 175 °C
Max. continuous dissipated power (Pdiss. Max.)	: 0.4 W
=> Pdiss. Max. derating above Tcase <sup>(1)</sup> = 85 °C	: 7 mW/°C
Junction-Case thermal resistance (Rth J-C) <sup>(2)</sup>	: <138 °C/W
Minimum Tcase operating temperature <sup>(3)</sup>	: -40 °C
Maximum Tcase operating temperature <sup>(3)</sup>	: 85 °C
Minimum storage temperature	: -55 °C
Maximum storage temperature	: 150 °C

(1) Derating at junction temperature constant = Tj max.

(2) Rth J-C is calculated for a worst case considering the **hottest junction** of the MMIC and all the devices biased.

(3) Tcase=Package back side temperature measured under the die-attach-pad (see the drawing below).



Example: QFN 16L 3x3  
Location of temperature reference point (Tcase) on package's bottom side

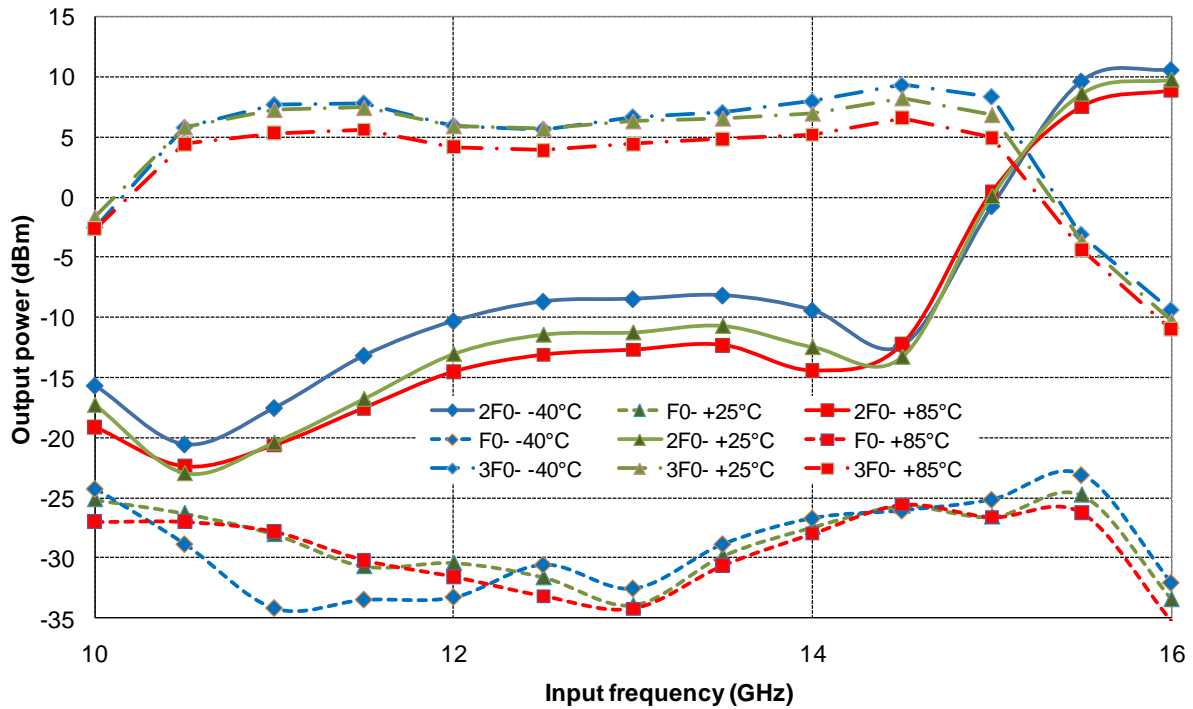
6.4

## Typical Board Measurements

Tamb.= +25°C, Vd = +5.0V, Id = 80mA

Results are given in the package access planes

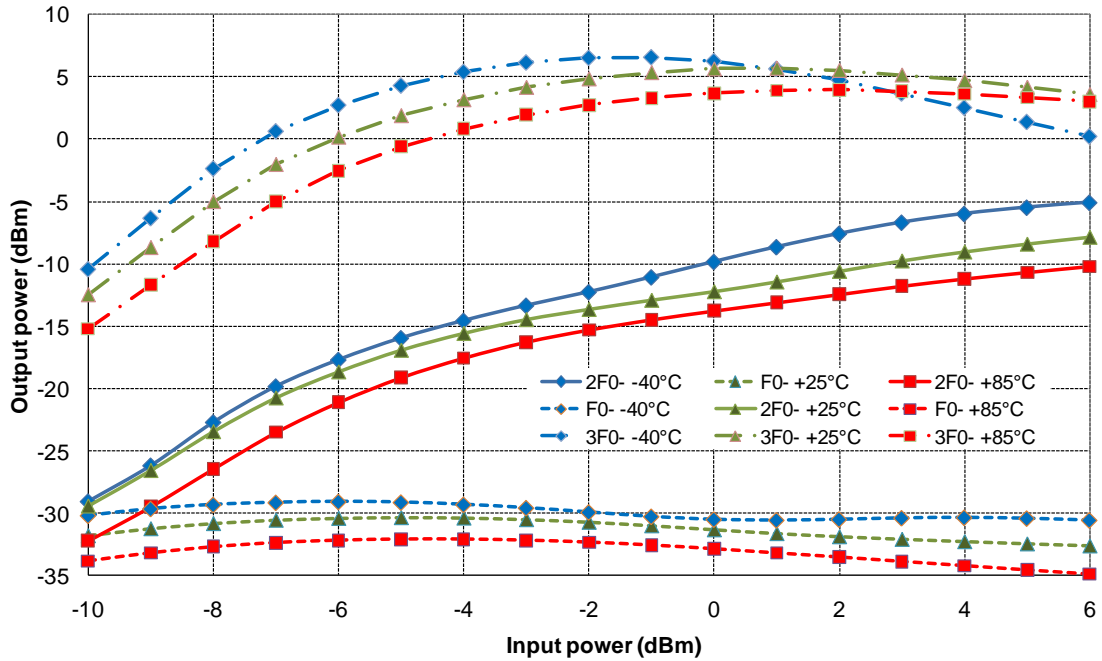
**Harmonic output power versus frequency**  
Pin= +1dBm



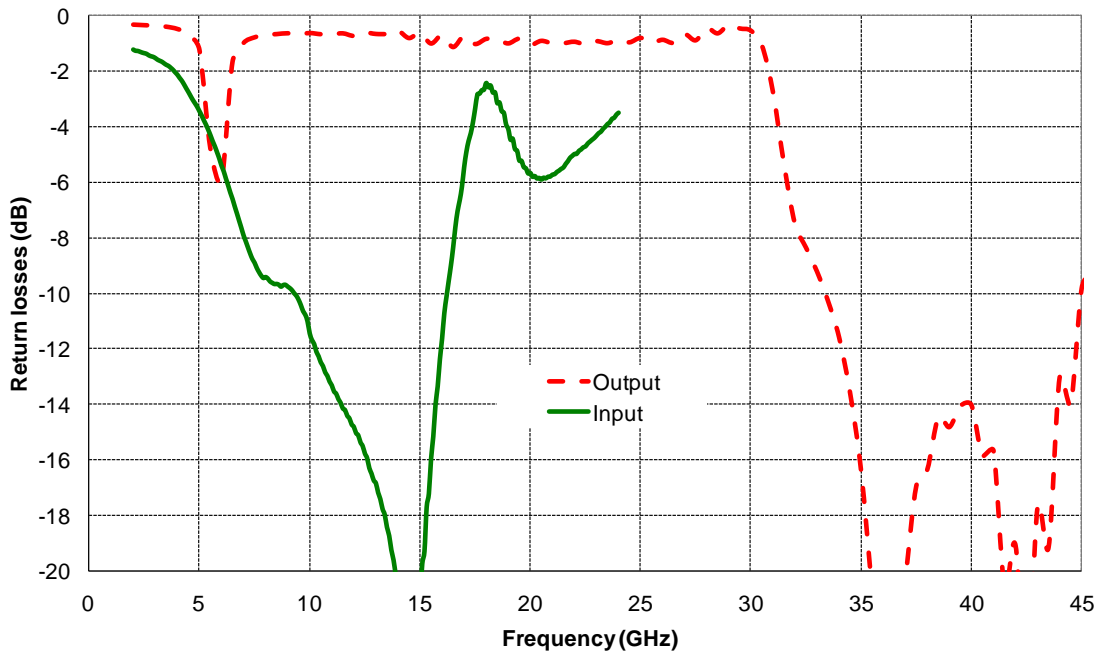
Typical Board Measurements

Tamb.= +25°C, Vd = +5.0V, Id = 80mA

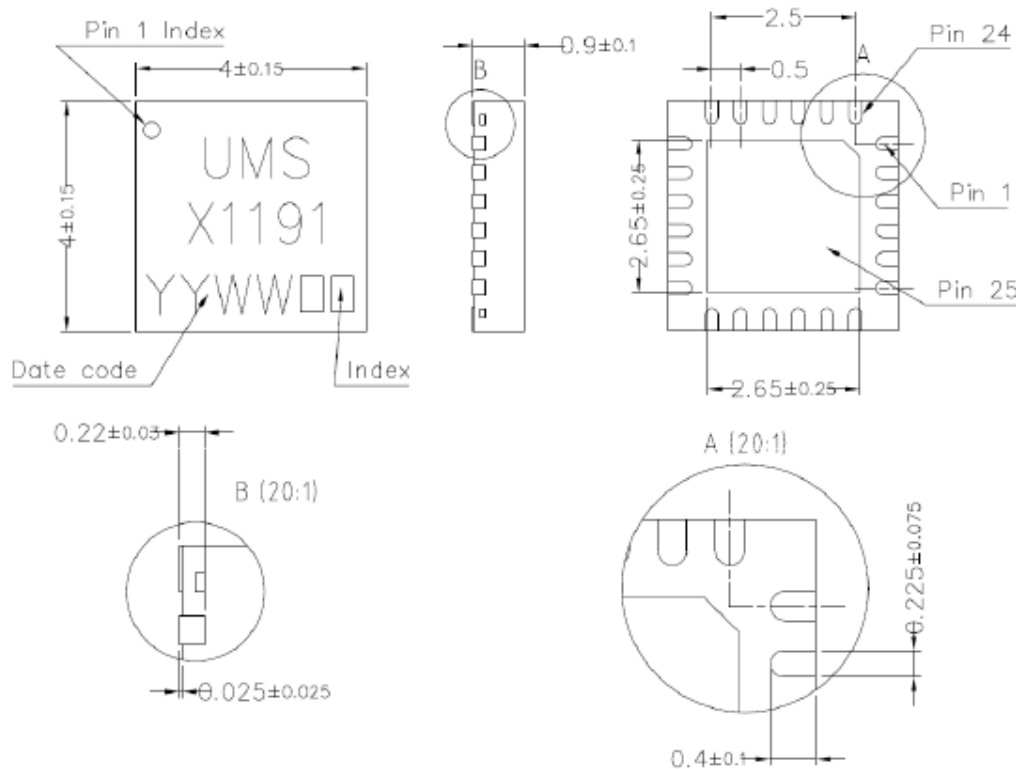
Harmonic output power versus input power  
F0=12.5GHz



Input & Output return loss



## Package outline <sup>(1)</sup>



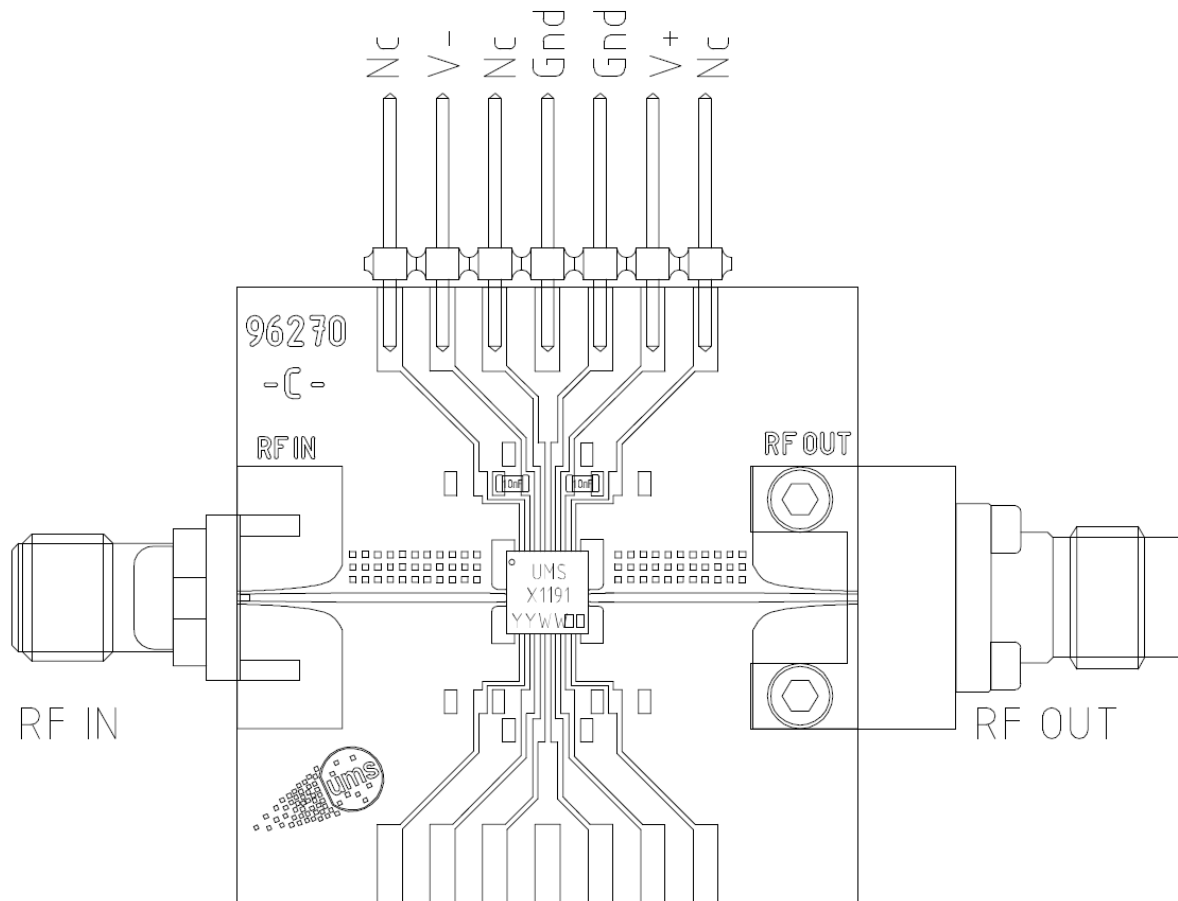
Matt tin, Lead Free	(Green)	1- Nc	9- Nc	17- Gnd <sup>(2)</sup>
Units :	mm	2- Gnd <sup>(2)</sup>	10- Nc	18- Nc
From the standard :	JEDEC MO-220	3- Gnd <sup>(2)</sup>	11- Nc	19- Nc
	(VGGD)	4- RF in	12- Nc	20- V+
	25- GND	5- Gnd <sup>(2)</sup>	13- Gnd <sup>(2)</sup>	21- Gnd <sup>(2)</sup>
		6- Gnd <sup>(2)</sup>	14- Gnd <sup>(2)</sup>	22- Nc
		7- Nc	15- RF out	23- V-
		8- Nc	16- Gnd <sup>(2)</sup>	24- Nc

<sup>(1)</sup> The package outline drawing included to this data-sheet is given for indication. Refer to the application note AN0017 (<http://www.ums-gaas.com>) for exact package dimensions.

<sup>(2)</sup> It is strongly recommended to ground all pins marked "Gnd" through the PCB board. Ensure that the PCB board is designed to provide the best possible ground to the package.

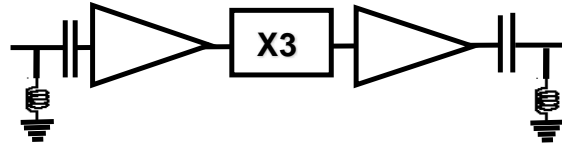
**Evaluation mother board**

- Compatible with the proposed footprint.
- Based on typically Ro4003 / 8mils or equivalent.
- Using a micro-strip to coplanar transition to access the package.
- Recommended for the implementation of this product on a module board.
- Decoupling capacitors of 10nF  $\pm$ 10% are recommended for all DC accesses.
- See application note AN0017 for details.



## Notes

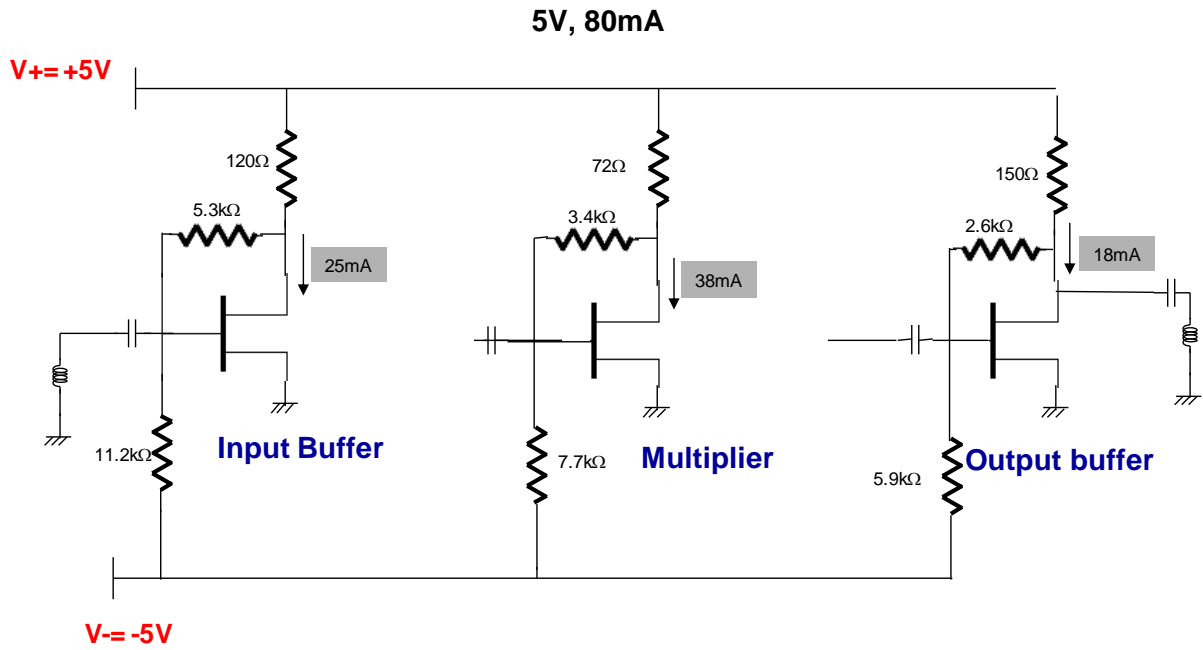
Due to ESD protection circuits on RF input and output, an external capacitance might be requested to isolate the product from external voltage that could be present on the RF accesses.



The DC connections do not include any decoupling capacitor in package, therefore it is mandatory to provide a good external DC decoupling (10nF) on the PC board, as close as possible to the package.



DC Schematic



## Recommended package footprint

Refer to the application note AN0017 available at <http://www.ums-gaas.com> for package footprint recommendations.

## SMD mounting procedure

For the mounting process standard techniques involving solder paste and a suitable reflow process can be used. For further details, see application note AN0017.

## Recommended environmental management

UMS products are compliant with the regulation in particular with the directives RoHS N°2011/65 and REACH N°1907/2006. More environmental data are available in the application note AN0019 also available at <http://www.ums-gaas.com>.

## Recommended ESD management

Refer to the application note AN0020 available at <http://www.ums-gaas.com> for ESD sensitivity and handling recommendations for the UMS package products.

## Ordering Information

QFN 4x4 package:

CHX1191-QDG/XY

Stick: XY = 20

Tape & reel: XY = 21

Information furnished is believed to be accurate and reliable. However **United Monolithic Semiconductors S.A.S.** assumes no responsibility for the consequences of use of such information nor for any infringement of patents or other rights of third parties which may result from its use. No license is granted by implication or otherwise under any patent or patent rights of **United Monolithic Semiconductors S.A.S.** Specifications mentioned in this publication are subject to change without notice. This publication supersedes and replaces all information previously supplied. **United Monolithic Semiconductors S.A.S.** products are not authorised for use as critical components in life support devices or systems without express written approval from **United Monolithic Semiconductors S.A.S.**