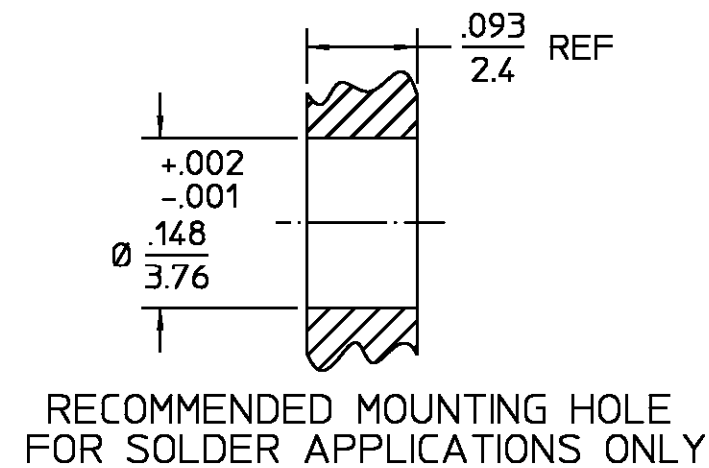


REVISIONS			
REV	DESCRIPTION	DATE	APPROVED
03 <sub>0</sub>	MAJOR CHANGES PER ECN 91-0725 REDRAWN PER ECN 88-0678	EFH 10/4/91	BB 10/10/91
03 <sub>1</sub>	ADDED MTG DETAIL, & REVISED ELECT. SPECS, ECN 99-0001	1/5/99	S. Morby



RECOMMENDED MOUNTING HOLE  
FOR SOLDER APPLICATIONS ONLY

DETAIL NOT TO SCALE

ELECTRICAL	MECHANICAL	ENVIRONMENTAL
Nominal Impedance (Ohms) <u>50</u>	Interface Dimensions MIL-STD-348, Fig. 319.2	Temperature Rating <u>-65° To 125°C</u>
Frequency Range (GHz) <u>DC to 26.5</u>	Recommended Mating	Vibration MIL-STD-202, Method 204, Condition D
Volt Rating (VRMS MAX)	Torque <u>3-5 In-Lbs</u>	Shock MIL-STD-202, Method 213, Condition I
⊙ Sea Level <u>250</u>	Mating Characteristics:	Thermal Shock MIL-STD-202, Method 107, Condition B,
VSWR <u>1.05 + .014f(GHz)</u>	Insertion (MAX Lbs) <u>3.0</u>	Moisture Resistance MIL-STD-202, Method 106, Except Vibration
Insertion Loss (dB MAX) <u>.05 √f(GHz)</u>	Withdrawal (MIN Oz) <u>1.0</u>	Shall Be Omitted
RF Leakage (dB MIN) <u>-[70-f(GHz)]</u>	Force to Engage and Disengage (In/Lbs MAX) <u>2.0</u>	Corrosion - MIL-STD-202, Method 101, Condition B, 5% salt spray
Corona, 70,000 Ft (VRMS MIN) <u>190</u>	Center Contact Captivation	
Dielectric Withstanding Voltage (VRMS MIN) ⊙ Sea Level <u>750</u>	Axial (Lbs) <u>4.0</u>	
Contact Resistance (Milliohms MAX)	Radial (In/Oz) <u>N/A</u>	
Center Contact <u>12.0</u>	Cable Retention	
Outer Contact <u>2.0</u>	Axial Force (Lbs) <u>N/A</u>	
Cable to Housing <u>N/A</u>	Torque (In/Oz) <u>N/A</u>	
RF High Potential ⊙ Sea Level	Weight (Grams) <u>TBD</u>	
(VRMS MIN ⊙ 5 MHz) <u>500</u>		
I.R.(Megohms MIN) <u>5,000</u>		

COMPONENT	MATERIAL	FINISH
HOUSING	STAINLESS STEEL PER ASTM-A484 AND ASTM- A582, TYPE 303	GOLD PLATE PER MIL-G-45204
DIELECTRIC	PTFE FLUOROCARBON PER ASTM-D-1457	N/A
CENTER CONTACT	BERYLLIUM COPPER PER ASTM-B-196 OR ASTM-B-197, ALLOY C17300, CONDITION H	GOLD PLATE PER MIL-G-45204
CONTACT EXT	IRON-NICKEL-COBALT ALLOY PER MIL-I-23011 CLASS 1 (KOVAR)	GOLD PLATE PER MIL-G-45204
HERMETIC SEAL	GLASS BEAD	N/A

UNLESS OTHERWISE SPECIFIED DIMENSIONS ARE IN INCHES TOLERANCE ON	DRAWN BY E.J.C.	DATE 11/21/70	<b>AMP</b> AMP Incorporated 140 Fourth Avenue Waltham, MA 02451-7599
FRAC. DEC. ANGLES ± 1/64 ±.005 ± °	CHECKED BY P.R.B.	11/25/70	
	APPD BY P.R.W.	11/25/70	
These drawings and specifications are the property of Omni Spectra Incorporated and shall not be reproduced or copied or used in whole or in part as the basis for the manufacture or sale of item(s) without written permission.	USE ASS'Y PROCEDURE	TITLE OSSM HERMETICALLY SEALED PANEL FEEDTHROUGH JACK RECEPTACLE STRAIGHT TERM.	
	NO. AP. <u>N/A</u>	SIZE <u>B</u>	CODE IDENT NO. <u>26805</u>
		SCALE <u>10:1</u>	<u>1058-3121-00</u>
			REV <u>03<sub>1</sub></u>
			SHEET 1 OF 1

CUSTOMER DRAWING

AMP PART # 1045643-1  
SHEET 1 OF 1 REV A