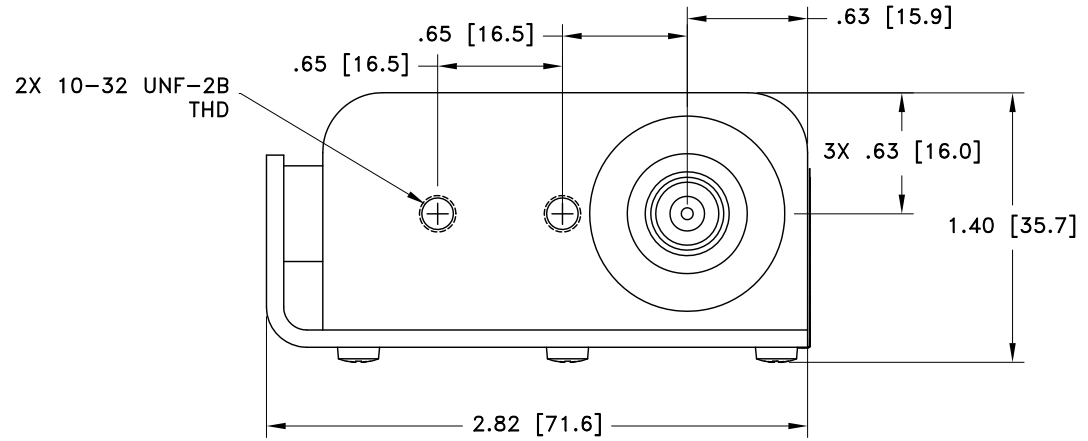


ALL DESIGN, OPERATIVE AND PROCESS DATA PERTAINING TO THE ARTICLE SHOWN ON THIS SHEET IS THE PROPERTY OF POLYPHASER CORPORATION. THE INFORMATION IS NOT TO BE COPIED, REPRODUCED, REVEALED TO OR APPROPRIATED BY OTHERS WITHOUT THE EXPRESS WRITTEN CONSENT OF POLYPHASER CORPORATION.

These commodities or technology are exported from the U.S. in accordance with the Export Administration Regulations. Diversion contrary to U.S. law prohibited.

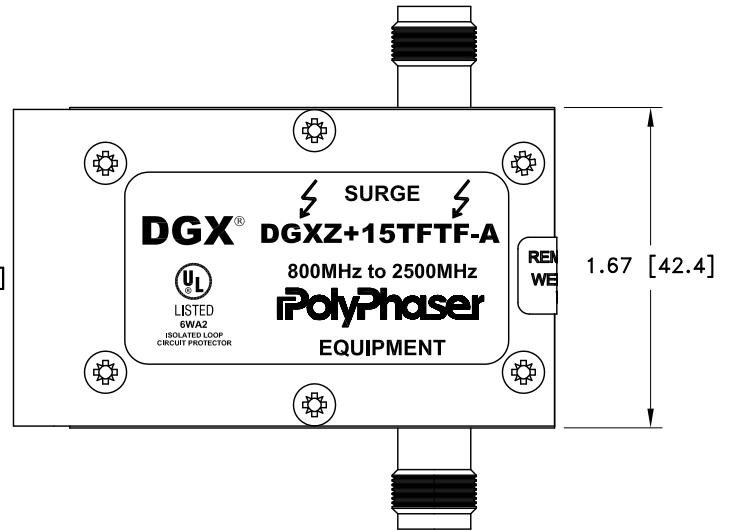
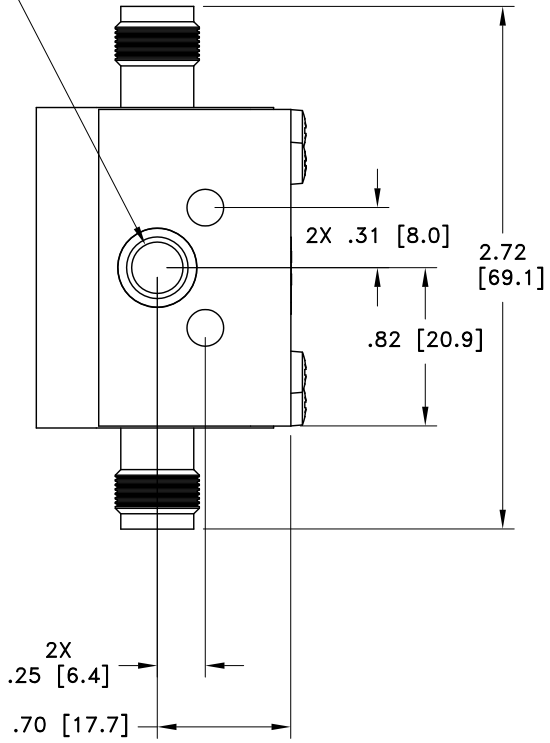
REVISIONS				
REV LTR	DATE	ENG	MKTG	Q.A.
E	04/18/08 SH	KCB	SD	RM




M8 X 1.25-6H NUT

**MAXIMUM CHARACTERISTICS**

APPLICATION:  
WEATHERIZED, FLANGE OR BULKHEAD MOUNT  
FREQUENCY RANGE:  
800MHz TO 2500MHz  
VSWR:  
≤1.1:1 OVER FREQUENCY RANGE  
INSERTION LOSS:  
≤0.1dB OVER FREQUENCY RANGE  
POWER:  
300Wrms AVERAGE  
TURN ON:  
+16.5Vdc  
TURN ON TIME:  
4ns FOR 2kV/ns  
MAX. SURGE:  
20kA IEC 61000-4-5 8/20μs WAVEFORM  
THROUGHPUT ENERGY:  
≤500μJ FOR 3kA, 8/20μs WAVEFORM  
USER VOLTAGE:  
+15Vdc MAX  
USAGE CURRENT:  
≤4.0A CONTINUOUS  
RELATIVE HUMIDITY:  
TO 95%  
ENVIRONMENTAL:  
MEETS IEC 60529 IP67  
MEETS BELLCORE #TA-NWT-000487  
PROCEDURE 4.11, WIND DRIVEN (120MPH)  
RAIN INTRUSION TEST.  
TEMPERATURE:  
-50°C TO +85°C STORAGE/OPERATING



CUSTOMER APPROVAL: \_\_\_\_\_ DATE: \_\_\_\_\_  
ALL DIMENSIONS SHOWN ABOVE ARE FOR REFERENCE ONLY.

DRAFTER S. HALL	DATE 11/04/03	 P.O. BOX 9000 MINDEN, NV 89423 TEL: 775-782-2511 FAX: 775-782-4476 DWG NO/PART NO/DESCRIPTION <b>DGXZ+15TTF-A</b> CUSTOMER PRINT	
MECH ENGINEER R. DUNNING	DATE 11/10/03		
ELEC ENGINEER K. BARTEL	DATE 11/10/03		
MARKETING P. HEEREN	DATE 11/10/03		
QUALITY DEPT L. JACQUES	DATE 11/10/03		
CAGE CODE 61114	FILE NAME -C1	SCALE 1/1	SHEET 1 OF 1