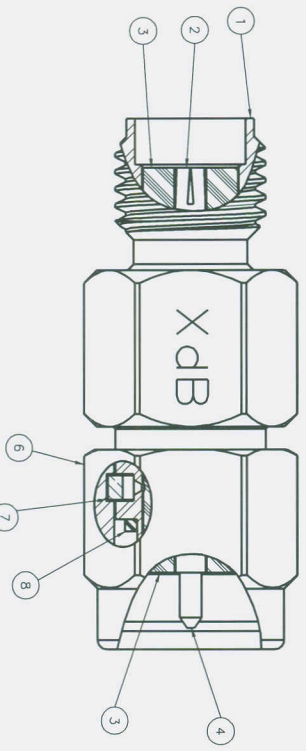
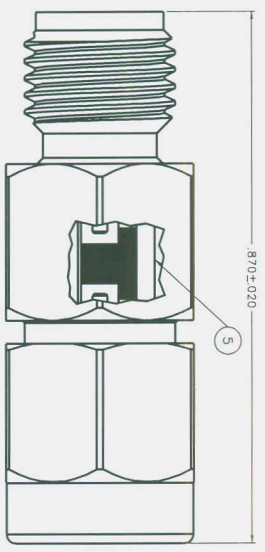
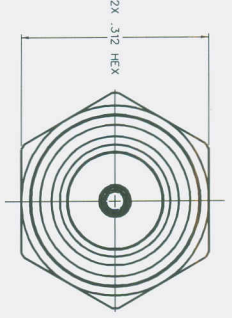


ITEM NUMBER	ATTENUATION	ITEM ①	ITEM ②	ITEM ③	ITEM ④	ITEM ⑤	ITEM ⑥	ITEM ⑦	ITEM ⑧
1	X-DB	BODY	CONTACT JACK	INSULATOR 2X	CONTACT PLUG	ATTENUATION	COURING NUT	RETENTION SPRING	SLACKT RUBBER
2	141-3901-802	PASSIVATED	COLD PL. 00003 MM OVER	1215TON	COLD PL. 00003 MM OVER	ALUMINUM SUBSTRATE	STAINLESS STEEL	COPPER	SILICONE RUBBER
3	141-3901-803		COPPER PL. 00002 MM		COPPER PL. 00002 MM				
4	141-3901-804								
5	141-3901-805								
6	141-3901-806								
7	141-3901-807								
8	141-3901-808								
9	141-3901-809								
10	141-3901-810								

*Thick Film
oxide
(Red Ox)*

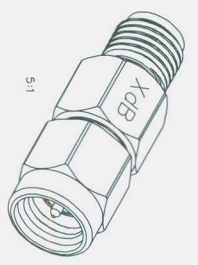


ITEM	DESCRIPTION	QTY	UNIT
1-3	OC-4 GHz	2	PCB
4-6	OC-4 GHz	2	PCB
7-10	OC-4 GHz	2	PCB

AVG. POWER: 2W MAX AT +25°C
DEGRADED LINEARITY TO 0.5W MAX AT +125°C

MECHANICAL:
MATING ENGAGEMENT: MIL-STD-348A, SERIES SMA
MATING DISMOUNTING FORCE: 2 N-LBS MAX
MATING TORQUE: 1.5 N-LBS IN
COURING NUT RETENTION: 80 LBS MIN
CONDUCTIVITY: 500 OHMS MIN
ENVIRONMENTAL:
OPERATING TEMPERATURE: -55°C TO +125°C
STOCK: MIL-STD-202, METHOD 1007, CONDITION B
THERMAL SHOCK: MIL-STD-202, METHOD 1007, CONDITION B
VIBRATION: MIL-STD-202, METHOD 204, CONDITION D

NOTES:
1. SPECIFICATIONS
ELECTRICAL:
MECHANICAL:
ATTENUATION ACCURACY:



REV	DATE	DESCRIPTION
1	5-23-08	141-3901-801/810

DATE	BY	CHKD	APP'D
5-9-08	JMK	JMK	JMK

CUSTOMER DRAWING
"A" STATION
EMERSON
CONNECTIVITY SOLUTIONS
WILSONVILLE, OR 97150
1-800-242-8298

COMPANY CONFIDENTIAL