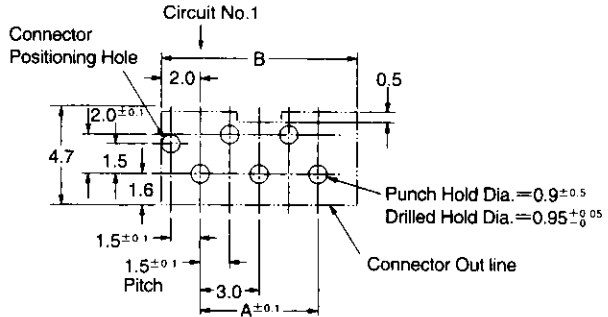
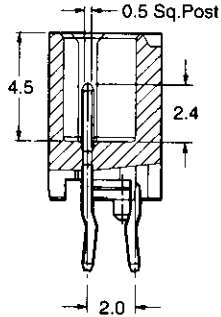
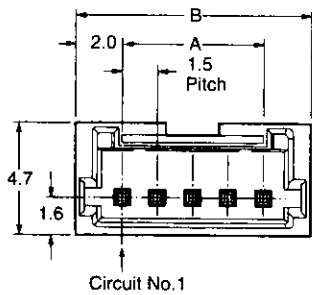


Wire to Board Connectors

Mini CT (Common Termination) Connector System

Post Header Assemblies (Board-mount)

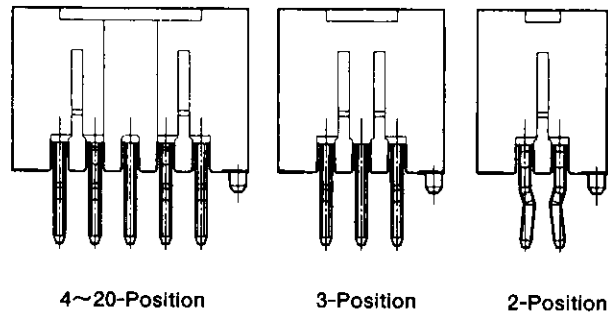
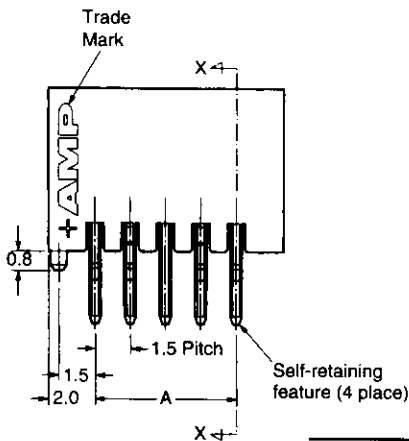
One-Row DIP Type / Vertical-mount Type (With bosses)



Section X-X

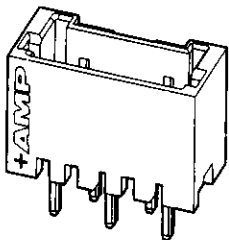
PC Board Layout (Component Side)

(Applicable board thickness=1.6mm)



Material and Finish :

Housing — UL94V-0 rated, glassfiber reinforced Nylon, grey and blue
 Post — 0.5mm square, pre-tinned, brass wire



No. of Pos.	Dimensions		Part No. of Post Header Assemblies	
	A	B	Grey	Blue
2	1.5	5.5	292207-2	5-292207-2
3	3.0	7.0	292207-3	5-292207-3
4	4.5	8.5	292207-4	5-292207-4
5	6.0	10.0	292207-5	5-292207-5
6	7.5	11.5	292207-6	5-292207-6
7	9.0	13.0	292207-7	5-292207-7
8	10.5	14.5	292207-8	5-292207-8
9	12.0	16.0	292207-9	5-292207-9
10	13.5	17.5	1-292207-0	6-292207-0
11	15.0	19.0	1-292207-1	6-292207-1
12	16.5	20.5	1-292207-2	6-292207-2
13	18.0	22.0	1-292207-3	6-292207-3
14	19.5	23.5	1-292207-4	6-292207-4
15	21.0	25.0	1-292207-5	6-292207-5
16	22.5	26.5	1-292207-6	6-292207-6
17	24.0	28.0	1-292207-7	6-292207-7
18	25.5	29.5	1-292207-8	6-292207-8
19	27.0	31.0	1-292207-9	6-292207-9
20	28.5	32.5	2-292207-0	7-292207-0

4