

**Z-PACK HM-Zd Connector (Continued)**

**Power and Guide Hardware**  
(Continued)

**Expanded Universal Power Module Vertical Receptacles**

**Material and Finish**

**Housing** — Polyester, gray

**Contact** — Copper alloy, plated 0.00127 [.000050] min. gold in mating area, 0.00050 [.000020] min. tin-lead on ACTION PIN area, with entire contact underplated 0.00127 [.000050] min. nickel

**Related Product Data**

**Guiding Hardware** (Optional) — pages 21-23

**Application Tooling**

**Header**

Seating Tool, 224441-1  
Board Support Fixture, 224442-1

**Receptacle**

Seating Tool, 224421-1  
Board Support Fixture, 217602-1

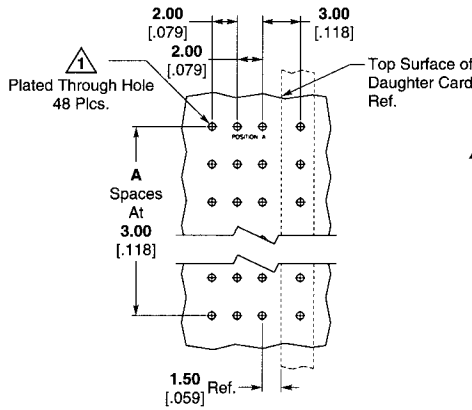
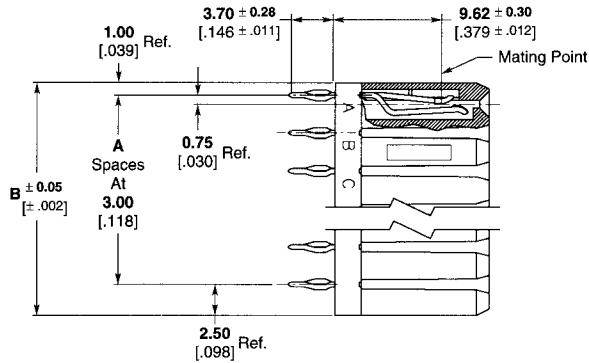
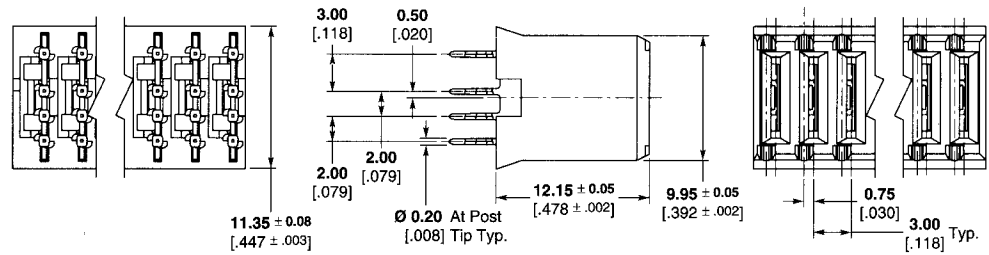
**Technical Documents**

**Product Specification**  
108-1651

**Application Specification**  
114-1103

**Tyco Electronics Instruction Sheet**

408-4169 (Receptacle)  
Seating Tool 224421-1)



⚠ PCB Hole Dim.  
Drilled Hole =  $0.7000 \pm 0.025$  [.02756 ± .0010]  
Finished Hole =  $0.60 \pm 0.05$  [.024 ± .002]  
Cu Thickness =  $0.375 \pm 0.0125$  [.0148 ± .00049]  
SnPb Thickness =  $0.007 \pm 0.003$  [.0003 ± .0001]

**Note:** For finishes other than tin-lead, reference Application Specification 114-1103.

**Recommended PCB Hole Layout**

Position	A	B Ref.	Standard *10A Part Number	High Current *15A Part Number
4	3	12.50 .492	223995-1	120953-1
5	4	15.50 .610	223995-2	120953-2
6	5	18.50 .728	223995-3	120953-3
7	6	21.50 .846	223995-4	120953-4
8	7	24.50 .965	223995-5	120953-5

\*Reference Product Specification 108-1651.

**Note:** For additional Power Module options reference Catalog 1773096, "Power Connectors and Interconnection Systems," or contact your Tyco Electronics Sales Representative.