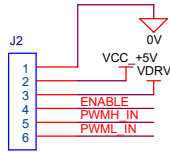
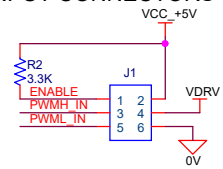
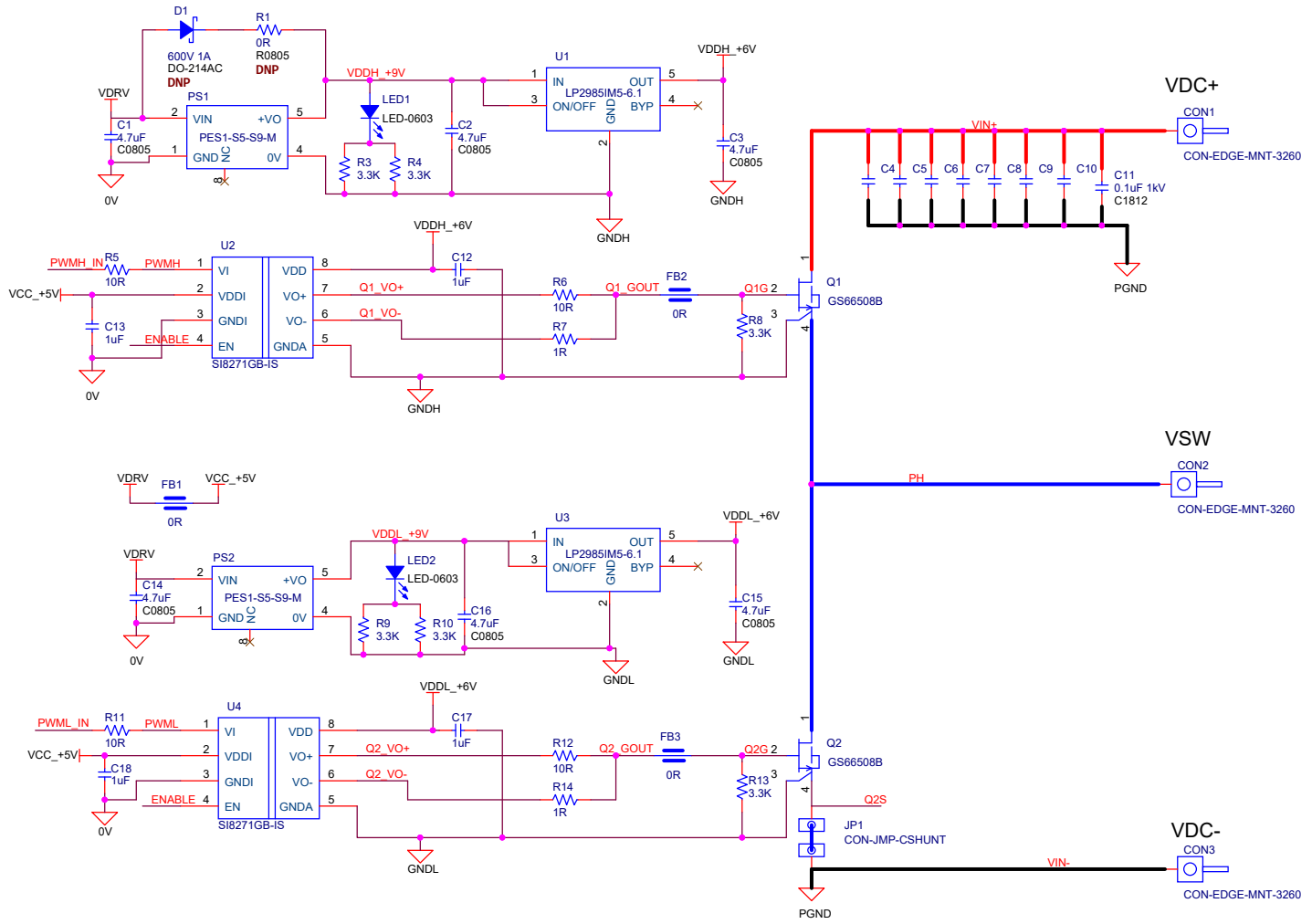
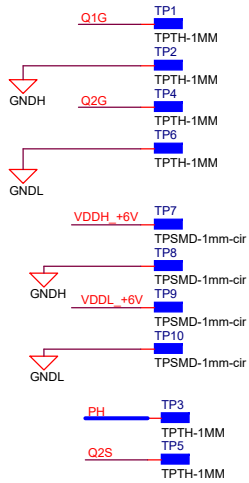


### INPUT CONNECTORS



### PROBE TEST POINT



Title GS66508B HALF BRIDGE DAUGHTER CARD		 1145 Innovation Dr. Suite 101 Ottawa ON K2K 3G8 This document contains information proprietary to GaN Systems.
Sheet Description MAIN		
Document	Sheet 1 of 1	
Date: Wednesday, August 10, 2016		