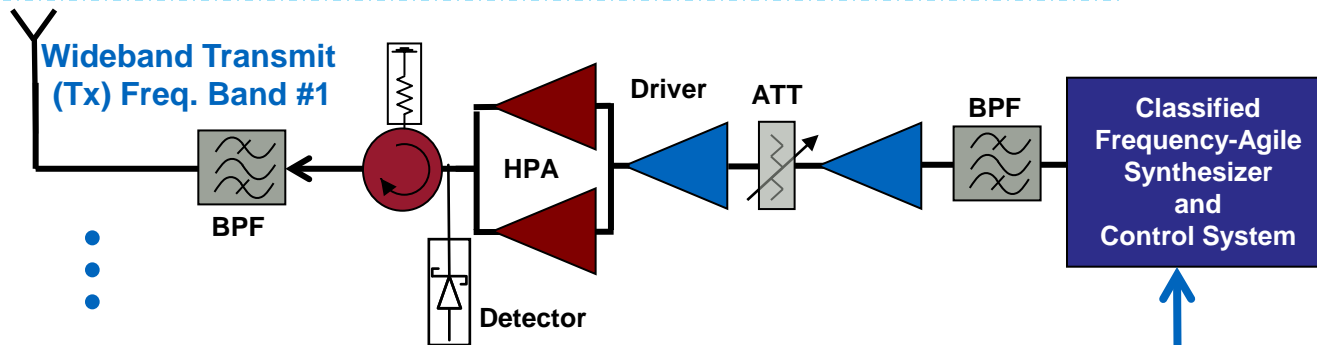
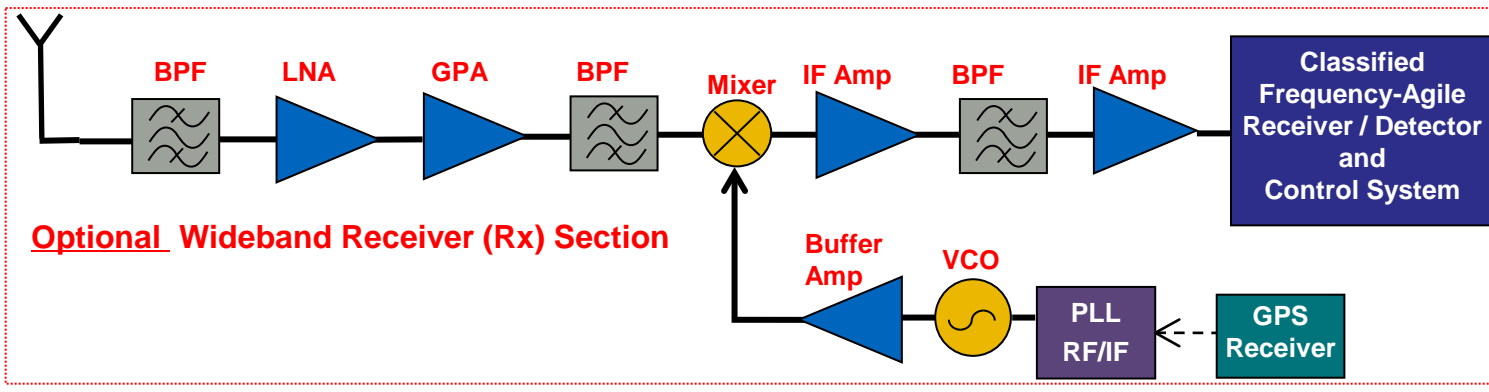
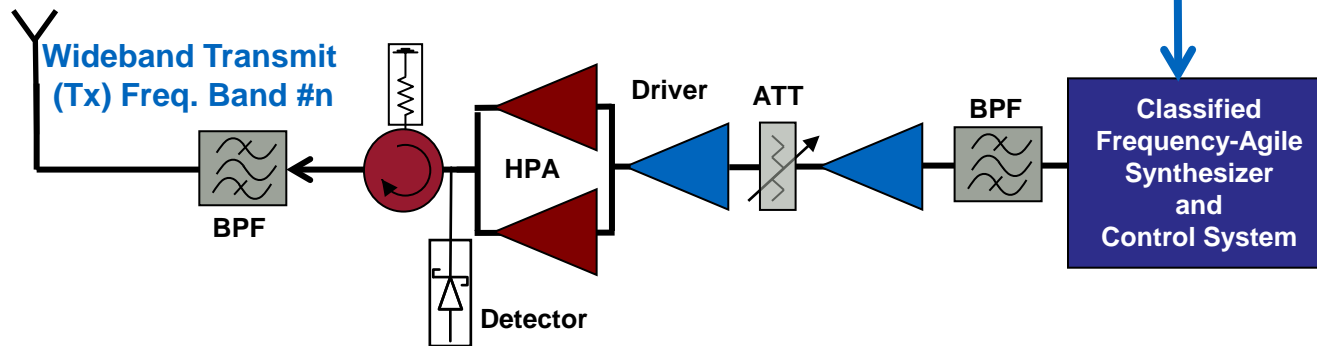


# IED Jammer (Unclassified)



n – separate Frequency (Jamming) Bands



## Used Throughout the Circuit

Baluns, Capacitors, Resistors, Couplers, Switches, Connectors, Relays, Splitters, Combiners, Surge Protection

