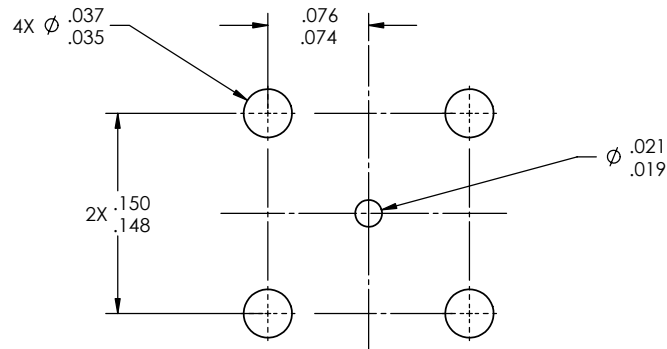
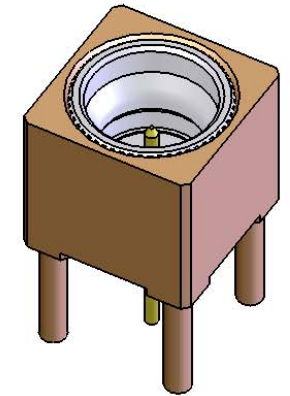
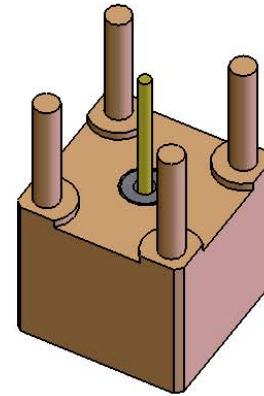


PART NO.	APPLICABLE NOTE(S)	INTERFACE(S)	(ØA)	FIGURE(S)
-1CC	1,2,3	FULL DETENT	.116	FIG. 1
-2CC	1,2,3	LIMITED DETENT	.120	FIG. 1
-3CC	1,2,3	SMOOTH DETENT	.125	FIG. 1
-4CC	1,2,3	CATCHER MITT'S	.125	FIG. 2



RECOMMENDED MOUNTING HOLE PATTERN



REVISIONS			
REV	DESCRIPTION	DATE	BY
C	ECO 12288	10.02.00	IMG
D	ECO 12856	03.02.01	HDB
E	ECO 20006 (REDRAW IN SW)	03.01.07	YP

MATERIAL:

Insert:
303 sst per ASTM A-582
Body & Center Conductor:
BeCu alloy per ASTM B-196
Insulator:
PTFE per ASTM D-1710

ELECTRICAL:

Impedance: 50 Ohms Nom.
Freq. Range: DC TO 12 GHz
VSWR: 1.25:1 max to 12GHz
Insertion Loss: .10 dB max to 12GHz
Working Voltage: 335 Vrms @ Sea Level
Dielectric Withstand Voltage: 500 Vrms min
RF HiPot Voltage: 325 Vrms Min @ 5MHz
Corona Level: 125 Vrms @ 70,000 ft
Insulation Resistance: 5000 Mohms
Contact Resistance:
Center Conductor: 6.0 Milliohms max
Outer Conductor: 2.0 Milliohms max
RF Leakage: -80 dB max to 3GHz
-65 dB max to 18GHz

MECHANICAL:

Interface Dimensions:
Connector Factory
Connector Durability:
100 Cycles min - Full Detent
500 Cycles min - Limited Detent
1000 Cycles min - Catchers Mitt
Center Contact Retention:
2 lbs Min Axial
N/A Radial
Force to Engage:
15 pounds max - Full Detent
10 pounds max - Limited Detent
2 pounds max - Catchers Mitt
Force to Engage:
5 pounds min - Full Detent
2 pounds min - Limited Detent
.5 pounds min - Catchers Mitt
Permeability: Less than 2.0 mu.

ENVIRONMENTAL:

Temp. Range: -65°C to +165°C
Thermal Shock:
MIL-STD-202, Method 107, Test Cond. B
Moisture Resistance:
MIL-STD-202, Method 106, except step 7b shall be omitted. Insulation resistance at least 100 MegaOhms within 5 minutes after removal from humidity.
Corrosion:
MIL-STD-202, Method 101, Test Cond. B
Vibration:
MIL-STD-202, Method 204, Test Cond. D
Shock:
MIL-STD-202, Method 213, Test Cond. I

FINISH:

Insert:
Passivate per ASTM A-967.
Body & Center Conductor:
Gold plate per ASTM B-488, over Nickle plate per AMS-QQ-N-290.

APPLICABLE TENSOLITE DOCUMENTS

WORK STANDARD	PROD INSTRUC	ASSY INSTRUC
NA	NA	NA

NOTICE
THIS DRAWING EMBODIES A CONFIDENTIAL PROPRIETARY DESIGN ORIGINATED BY TENSOLITE COMPANY AND ALL DESIGN, MANUFACTURING, REPRODUCTION, USE AND SALE RIGHTS REGARDING THE SAME ARE EXPRESSLY RESERVED. IT IS SUBMITTED UNDER A CONFIDENTIAL RELATIONSHIP FOR A SPECIFIED PURPOSE AND THE RECIPIENT AGREES BY ACCEPTING THIS DRAWING NOT TO SUPPLY OR DISCLOSE ANY INFORMATION REGARDING IT TO ANY UNAUTHORIZED PERSON TO INCORPORATE IN OTHER PROJECTS ANY SPECIAL FEATURES PELLAR TO THIS DESIGN. ALL PATENT RIGHTS HERETO ARE EXPRESSLY RESERVED BY TENSOLITE COMPANY, LONG BEACH, CALIFORNIA 90805.

TOLERANCES AND NOTES EXCEPT AS NOTED

- DIMENSIONS ARE IN INCHES.
LINEAR .XX ±.015 ANGULAR ±1/2°
FRACTION ±1/32
- MACHINE FINISH ✓ RMS
 - BREAK ALL SHARP EDGES .003 MAX.
 - MACHINED FILLETS .005 MAX.
 - MACHINED SURFACES SQUARE TO RESPECTIVE AXES WITHIN .005 INCHES PER INCH.
 - MACHINED DIAMETERS CONCENTRIC WITHIN .002 I.D.R.
 - DIMENSIONS TO BE MET BEFORE PLATING.
 - CHAMFER ALL THREADS 45°.
 - THREADS PER 1/28
 - REMOVE FRAYED EDGES ON TEFLON.
 - REMOVE ALL BURRS.

SEE NOTE(S)

MATERIAL	DATE
APPROVAL INITIALS	03.01.07
DRAWN BY	YPHAN
CHECKED BY	
TEST ENGR	
QUALITY	
DESIGN ENGR	DNG 07.23.07
MFG. ENGR	

SIZE	SPECIFICATION	PROCUREMENT
14:1	OLP	SHEET 1 OF 2
Tensolite HIGH PERFORMANCE CABLES & INTERCONNECT SYSTEMS 2400 Grand Avenue Long Beach, California 90815-1762		
TITLE: SMP MALE STRAIGHT PCB MOUNT		
SCALE	SUB-DIRECTORY FILE NAME	REV.
C 30990	P603	E

4

3

2

1

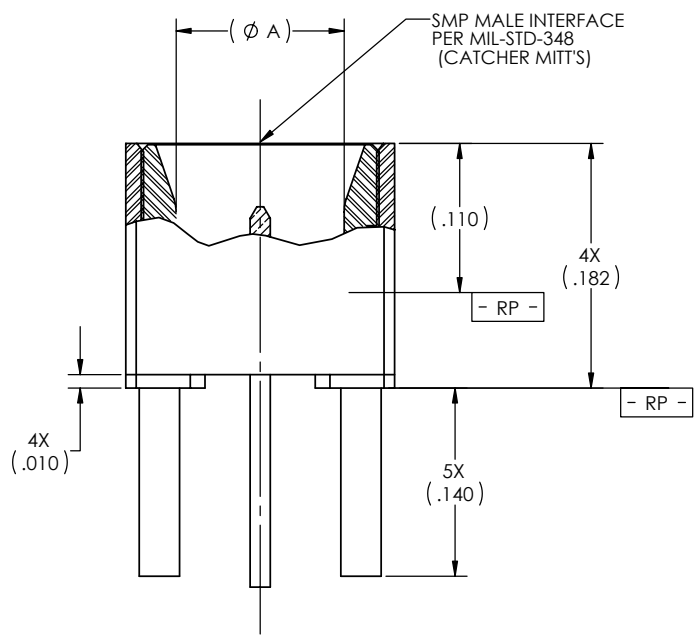


FIGURE 2

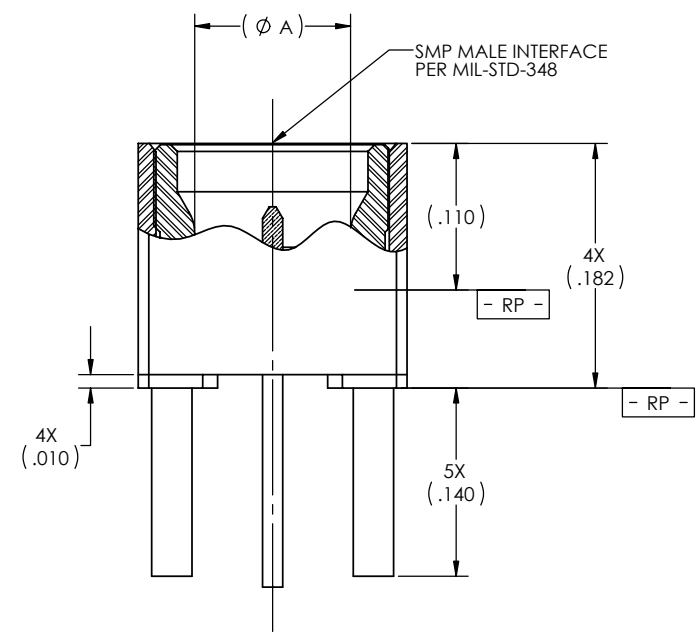
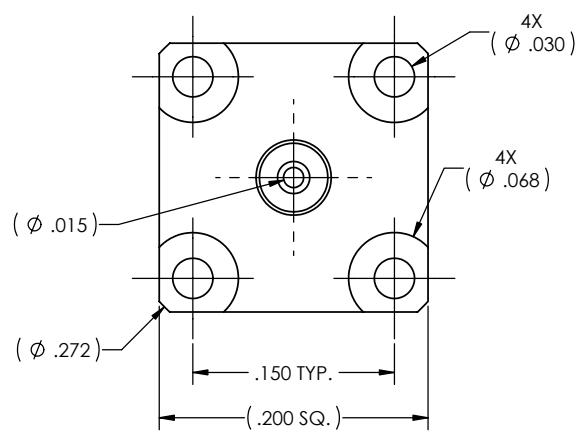


FIGURE 1



SCALE	SUB-DIRECTORY/FILE NAME		SHEET 2 OF 2
14:1	OLP		2
SIZE	CAGE CODE	DRAWING NO.	REV.
C	30990	P603	E

4

3

2

1