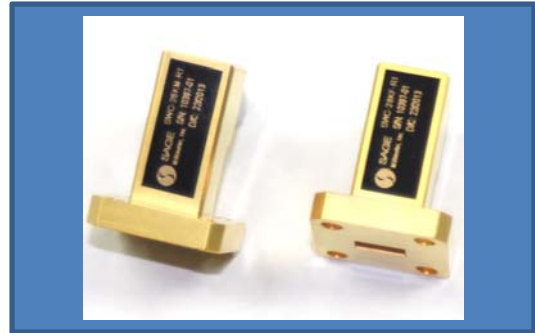




Ka-Band Waveguide to 2.92mm Connector Adapter

Description:

These waveguide to coax adapters operate in the frequency range from 26.5 to 40.0 GHz. They are designed and manufactured for instrumentation grade quality, but with commercial price level, allowing efficient transition between the rectangular waveguide to coax connector. These adapters deliver superior RF performance (i.e., low insertion loss and low VSWR). Two mechanical configurations, namely right angle and end launch (in-line), are offered.



Features:

- Broadband operation
- Low insertion loss and VSWR
- Instrumentation grade

Applications:

- Test labs
- Instrumentation
- Sub-assemblies

Device Specifications:

Parameter	Minimum	Typical	Maximum
Frequency Range	26.5 GHz		40.0 GHz
Insertion Loss		0.25 dB	
Return Loss		-20.0 dB	

Ports Specifications:

Port	Connector	Absolute Maximum Ratings
Waveguide	WR-28 with UG599/U Flange	N/A
Coaxial	2.92mm Female ⁽¹⁾ or 2.92mm Male ⁽²⁾	N/A

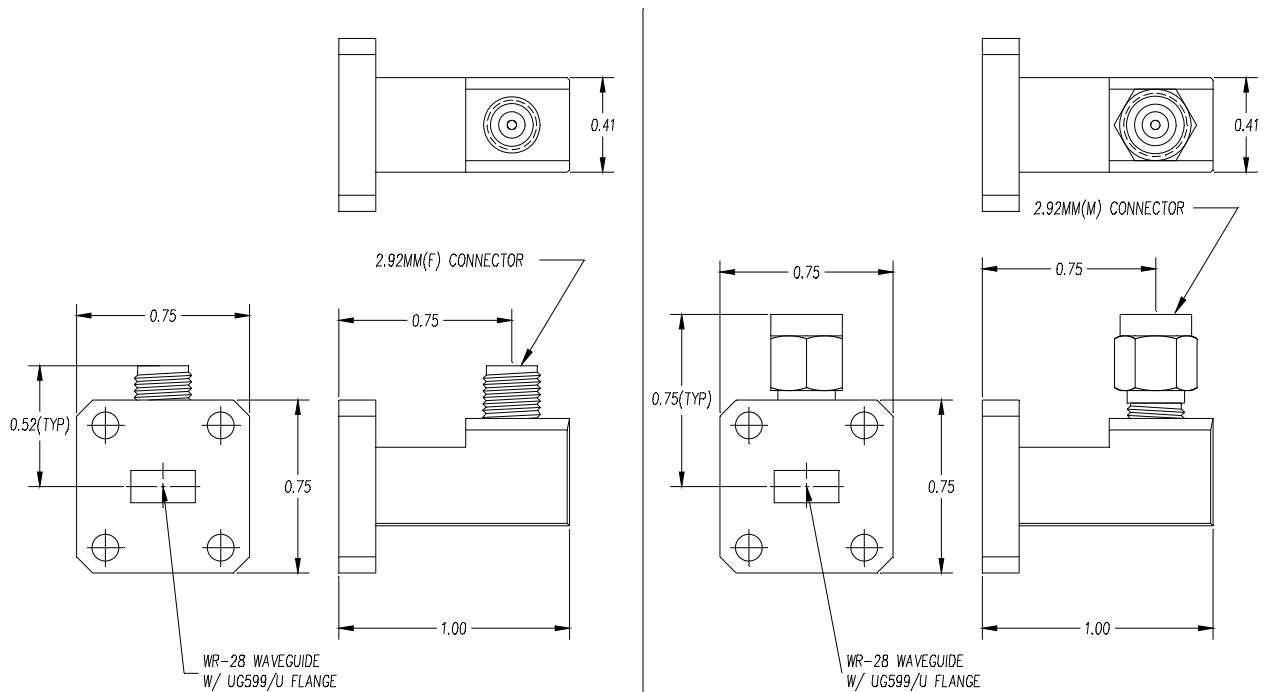
(1) Applies to model SWC-28KF-R1

(2) Applies to model SWC-28KM-R1



Ka-Band Waveguide to 2.92mm Connector Adapter

Mechanical Outline: (Unless otherwise specified, all dimensions are in inches)



Note:

- SAGE Millimeter, Inc. reserves the right to change the information presented without notice.
- All data are presented using a limited sample lot, actual data may vary unit to unit.
- All testing was performed under 25°C case temperature.

Caution:

- Any foreign objects into the waveguide will destroy the adapter.