

APPLICATION NOTE

Intermodulation Distortion Measurements of Ferrites

Introduction

Intermodulation Distortion (IMD) measurements are used to characterize the non-linearity of RF components, including ferrite circulators and isolators. Two Continuous Wave (CW) tones (f_1 and f_2) are combined and input to the Device Under Test (DUT). The output results are measured on a spectrum analyzer.

The third order, and occasionally the fifth order, products are the critical unwanted frequency IMD products that are measured:

3rd order products at: $(2 \times f_1) - f_2$ and $(2 \times f_1) - f_1$

5th order products at: $(3 \times f_1) - (2 \times f_2)$ and $(3 \times f_2) - (2 \times f_1)$

These relationships are illustrated in Figure 1.

Forward IMD Test Setup

The block diagram shown in Figure 2 illustrates a typical forward IMD test stand. Measurements are taken using Agilent 83712B signal generators and Amplifier Research 100W1000M1 amplifiers. The dual isolators provide >50 dB of isolation and K&L's six-cavity tunable Low-Pass Filters (LPFs) remove system harmonics. A quad hybrid (the M/A-COM Tech QH32-0018-N) provides a further 18 dB of isolation between the tones.

The directional couplers (the M/A-COM Tech CH25-0014-10N) must be terminated with a broadband cable load with superior VSWR (<1.1:1). A six-cavity notch filter (the M/A-COM Tech WRCD800/960 0.2/40-6EEK) attenuates the fundamental frequencies (f_1 and f_2) to provide greater dynamic range.

It is important not to overdrive the internal mixer of the spectrum analyzer (Agilent 8561E). Overdriving the mixer can cause clipping, so the input level into the analyzer should be $\leq +23$ dBm. Typical analyzer settings are:

- Span = 2 kHz
- RBW = 3 Hz
- VBW = 3 Hz

Cables, connectors, and test fixtures can also affect the IMD measurement. N-type connectors should be used, and they must be clean and correctly torqued. Avoid nickel plating. The test fixture must fully enclose the DUT to ensure adequate shielding from stray radiation.

Harmonics must be filtered before measuring power. Spectrum analyzers should be used to measure relative power only (dBc), not absolute power (dBm). Power meters are only accurate at their characteristic impedance (50Ω), so poorly matched DUTs introduce inaccuracies.

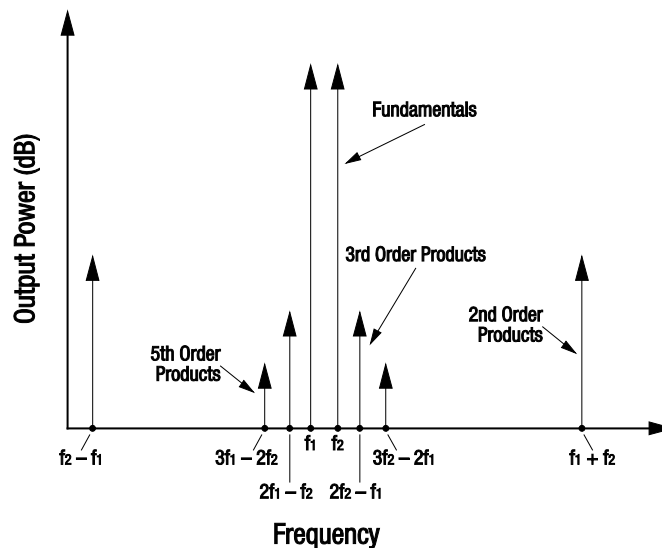
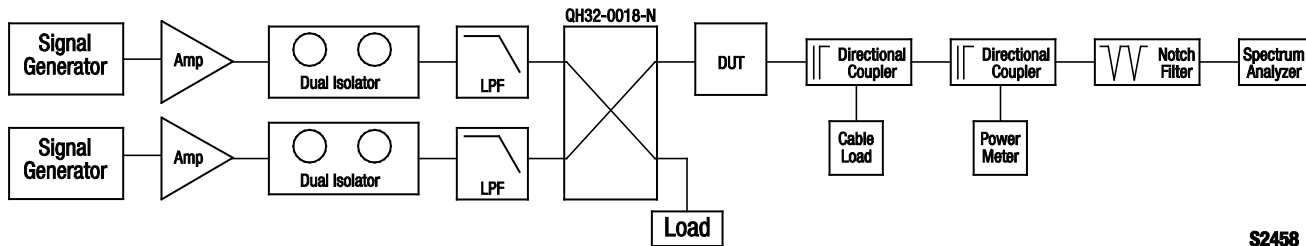
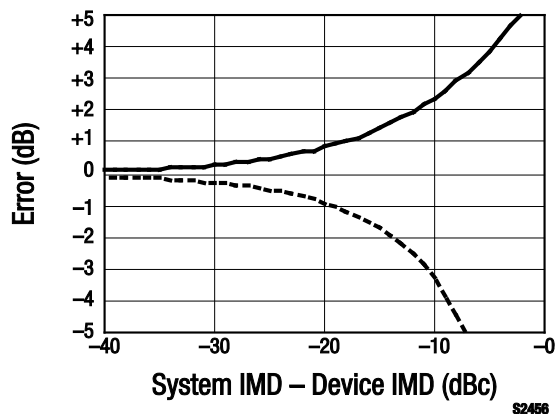


Figure 1. Third and Fifth Order Products



S2458

Figure 2. Forward IMD Test Setup



S2456

Figure 3. Measurement Error

Measurement Error

Every system exhibits some amount of measurement error that can be calculated as follows (and illustrated in Figure 3):

$$\text{Positive Error} = 20\log(1 + 10^{(\text{IMD}_{\text{system}} - \text{IMD}_{\text{device}})/20})$$

$$\text{Negative Error} = 20\log(1 - 10^{(\text{IMD}_{\text{system}} - \text{IMD}_{\text{device}})/20})$$

For a typical system ($\text{IMD}_{\text{system}} - \text{IMD}_{\text{device}} = -15 \text{ dB}$), the measurement error is +1.4 dB/-1.7 dB.

To minimize measurement error, the value for $\text{IMD}_{\text{system}}$ should be 30 dB or more than the $\text{IMD}_{\text{device}}$.

Phase Cancellation Reverse IMD Test Setup

Figure 4 shows the configuration used for reverse IMD measurements with cancellation. High forward power is applied to the input of the DUT at frequency f_2 , while reverse power at a lower level is applied to the output of the DUT at frequency f_1 . The output signals, including the IMD products, are coupled through

the directional coupler to the quadrature hybrid and then to the spectrum analyzer.

High signal levels at the spectrum analyzer input lead to the generation of IMD products in the instrument, which produce errors in the measurement. To protect the spectrum analyzer from these levels, a cancellation process is used to significantly reduce the level of the signal at f_2 without affecting the IMD products generated in the DUT.

As shown in Figure 4, a third signal source is set to the same frequency (f_2) and a signal is applied to the other input of the quad hybrid. The amplitude of the signal is adjusted to match that of the signal to be cancelled. The phase of the third signal is adjusted in small steps until f_2 is nullified, after which the phase stepping stops. Null depths of >40 dB are routinely achieved.

The levels of third and fifth order IMD products can then be accurately measured in the spectrum analyzer after optimally setting resolution bandwidth, video bandwidth, attenuation, and frequency span. Cancellation of the f_1 signal is not necessary because its level is already much lower than the f_2 signal.

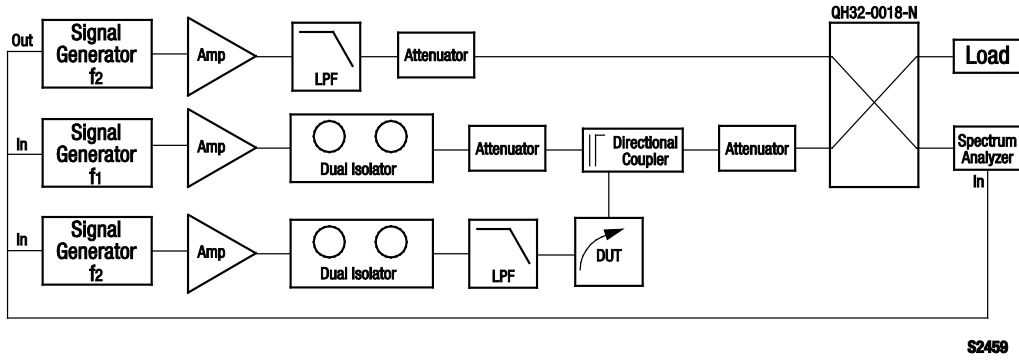


Figure 4. Phase Cancellation Reverse IMD Test Setup

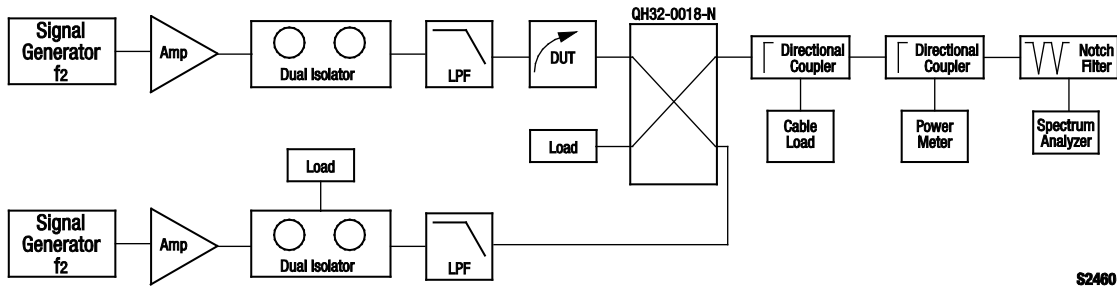


Figure 5. Reverse IMD Test Setup

This technique allows the spectrum analyzer to use sensitive settings (e.g., no attenuation) with little distortion being added. The added benefit is that a lower noise floor is achieved.

The system illustrated in Figure 4 also measures harmonics generated in the DUT. The three signal generators and the spectrum analyzer are phase-locked with the signal source of one generator acting as a reference source for the other two. While operation of this system can be done manually, it is most efficiently performed by software and the entire measurement can be automated, controlling the instruments through the General Purpose Interface Bus (GPIB) ports.

Reverse IMD Test Setup

Figure 5 illustrates the typical setup for a reverse IMD test stand. This is similar to the forward IMD test setup, except the second signal is input into the output of the DUT.

Second and Third Harmonic Test Setup

The second and third harmonics test setup is incorporated into the reverse IMD test setup. A test tone (f_2) at known power level (p_2) is injected into the DUT and the second and third harmonics are measured at frequencies derived from twice and three times the f_2 frequency. The measurement is relative to fundamental frequency f_2 (i.e., the delta, measured in dBc).

Conclusion

It can be difficult to measure the IMD products of a ferrite circulator or isolator. Care must be taken that unwanted IMD products are not introduced.

Good filtering and the correct spectrum analyzer settings are critical to ensure accurate IMD measurements. Contact a local Skyworks office for any questions or assistance.

APPLICATION NOTE • IMD MEASUREMENTS OF FERRITES

Copyright © 2011 Skyworks Solutions, Inc. All Rights Reserved.

Information in this document is provided in connection with Skyworks Solutions, Inc. ("Skyworks") products or services. These materials, including the information contained herein, are provided by Skyworks as a service to its customers and may be used for informational purposes only by the customer. Skyworks assumes no responsibility for errors or omissions in these materials or the information contained herein. Skyworks may change its documentation, products, services, specifications or product descriptions at any time, without notice. Skyworks makes no commitment to update the materials or information and shall have no responsibility whatsoever for conflicts, incompatibilities, or other difficulties arising from any future changes.

No license, whether express, implied, by estoppel or otherwise, is granted to any intellectual property rights by this document. Skyworks assumes no liability for any materials, products or information provided hereunder, including the sale, distribution, reproduction or use of Skyworks products, information or materials, except as may be provided in Skyworks Terms and Conditions of Sale.

THE MATERIALS, PRODUCTS AND INFORMATION ARE PROVIDED "AS IS" WITHOUT WARRANTY OF ANY KIND, WHETHER EXPRESS, IMPLIED, STATUTORY, OR OTHERWISE, INCLUDING FITNESS FOR A PARTICULAR PURPOSE OR USE, MERCHANTABILITY, PERFORMANCE, QUALITY OR NON-INFRINGEMENT OF ANY INTELLECTUAL PROPERTY RIGHT; ALL SUCH WARRANTIES ARE HEREBY EXPRESSLY DISCLAIMED. SKYWORKS DOES NOT WARRANT THE ACCURACY OR COMPLETENESS OF THE INFORMATION, TEXT, GRAPHICS OR OTHER ITEMS CONTAINED WITHIN THESE MATERIALS. SKYWORKS SHALL NOT BE LIABLE FOR ANY DAMAGES, INCLUDING BUT NOT LIMITED TO ANY SPECIAL, INDIRECT, INCIDENTAL, STATUTORY, OR CONSEQUENTIAL DAMAGES, INCLUDING WITHOUT LIMITATION, LOST REVENUES OR LOST PROFITS THAT MAY RESULT FROM THE USE OF THE MATERIALS OR INFORMATION, WHETHER OR NOT THE RECIPIENT OF MATERIALS HAS BEEN ADVISED OF THE POSSIBILITY OF SUCH DAMAGE.

Skyworks products are not intended for use in medical, lifesaving or life-sustaining applications, or other equipment in which the failure of the Skyworks products could lead to personal injury, death, physical or environmental damage. Skyworks customers using or selling Skyworks products for use in such applications do so at their own risk and agree to fully indemnify Skyworks for any damages resulting from such improper use or sale.

Customers are responsible for their products and applications using Skyworks products, which may deviate from published specifications as a result of design defects, errors, or operation of products outside of published parameters or design specifications. Customers should include design and operating safeguards to minimize these and other risks. Skyworks assumes no liability for applications assistance, customer product design, or damage to any equipment resulting from the use of Skyworks products outside of stated published specifications or parameters.

Skyworks, the Skyworks symbol, and "Breakthrough Simplicity" are trademarks or registered trademarks of Skyworks Solutions, Inc., in the United States and other countries. Third-party brands and names are for identification purposes only, and are the property of their respective owners. Additional information, including relevant terms and conditions, posted at www.skyworksinc.com, are incorporated by reference.