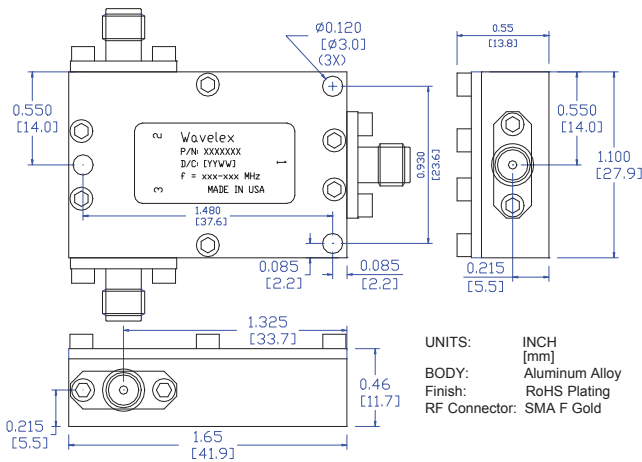
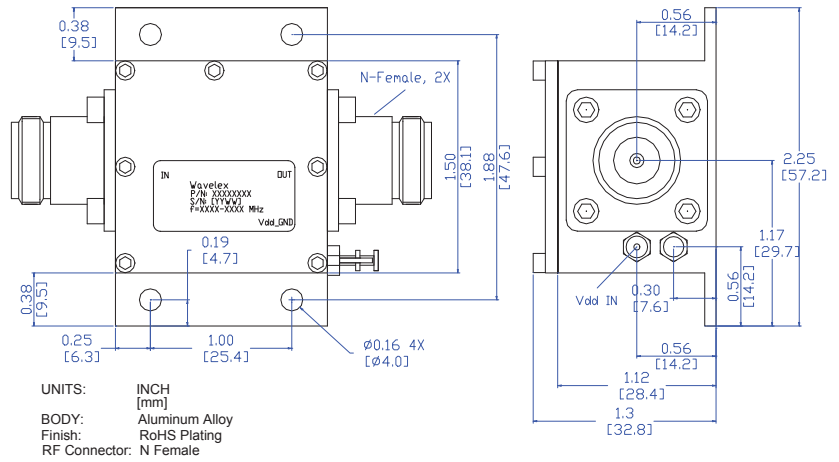


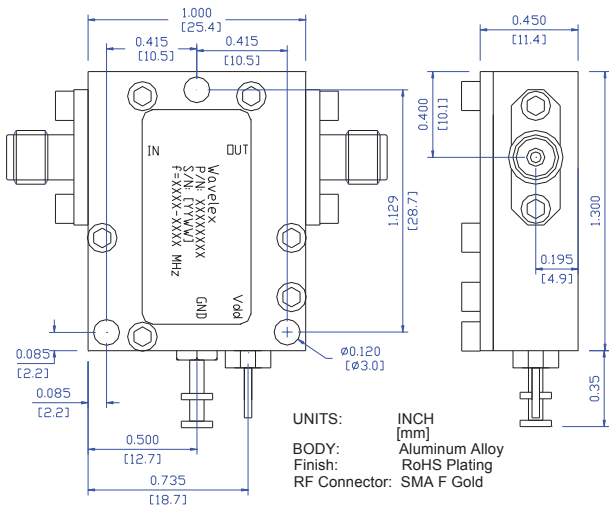
IP-1



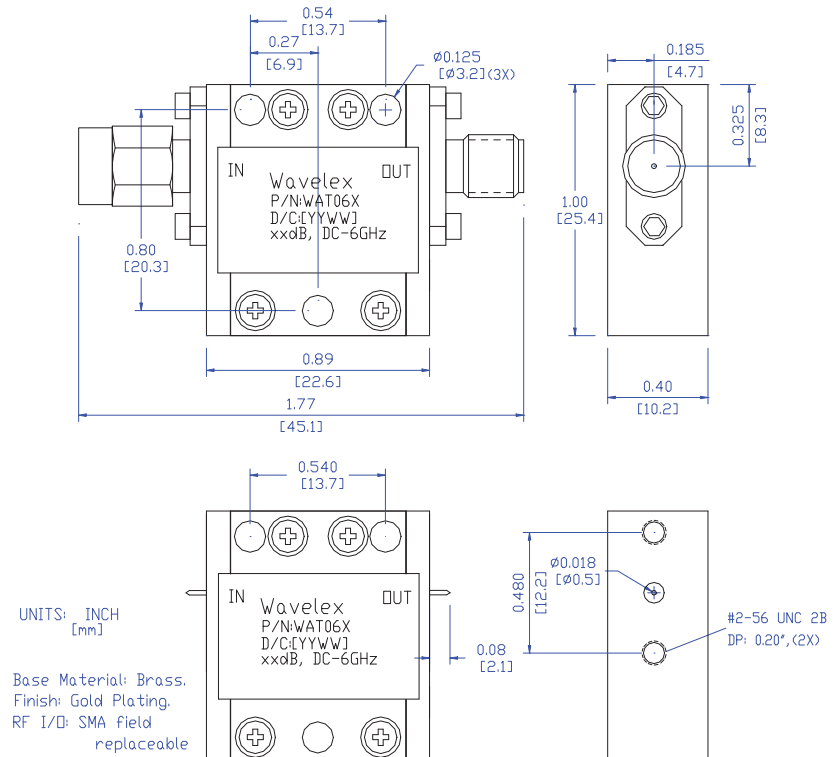
IP-2



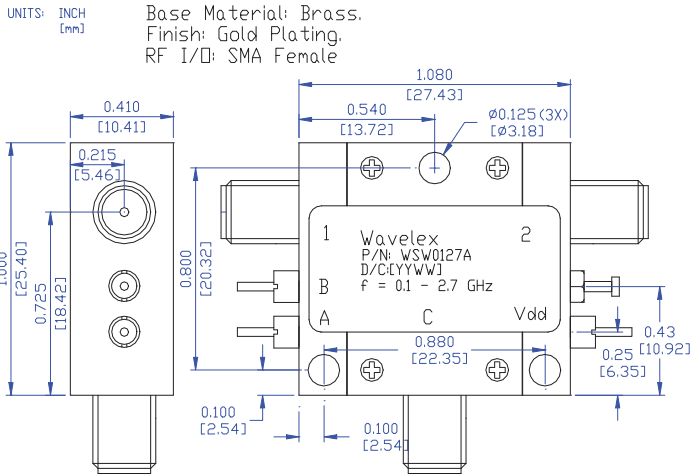
IP-3



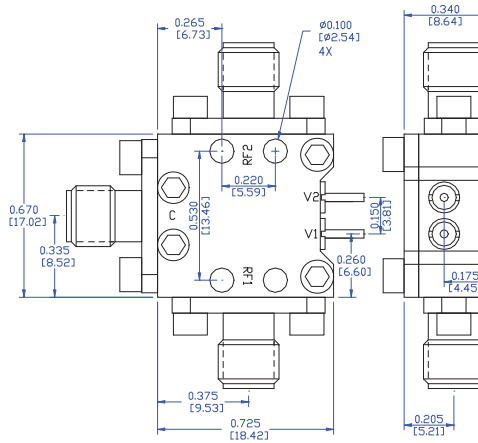
IP-11



1.1" x 1.0" Switch

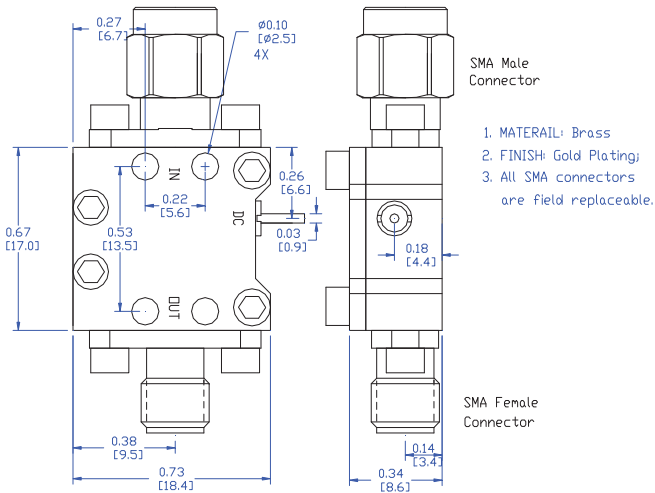


0.7" x 0.7" Switch

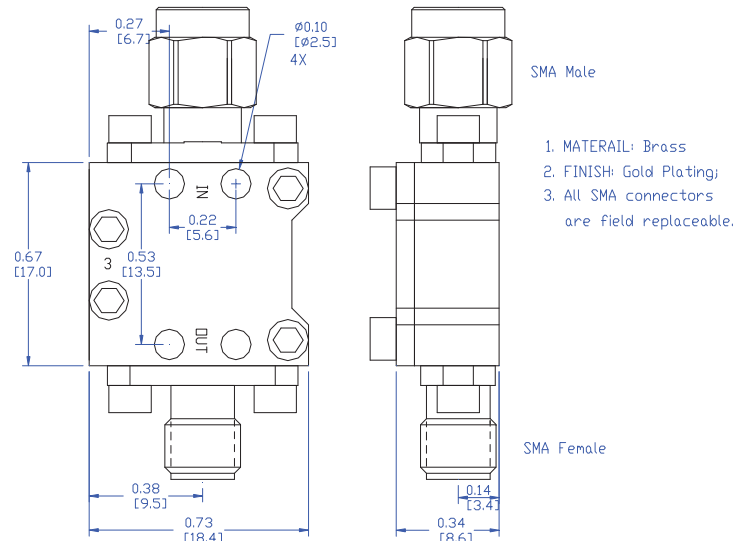


- NOTES
1. MATERIAL: Brass
 2. TOLERANCE IS NON-ACCUMULATIVE
 3. FINISH:
 - A. DEBURR AND BREAK SHARP EDGES
 - B. 10 micro Inch maximum gold plating.
 4. ALL SMA F connectors are field replaceable.

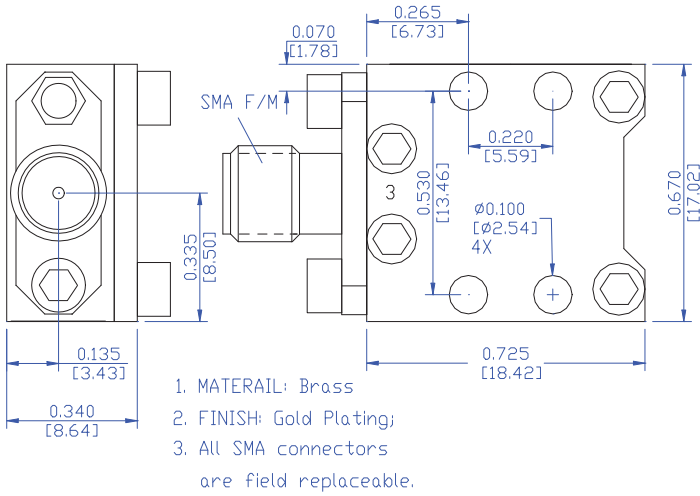
0.7" x 0.7" Bias-Ts



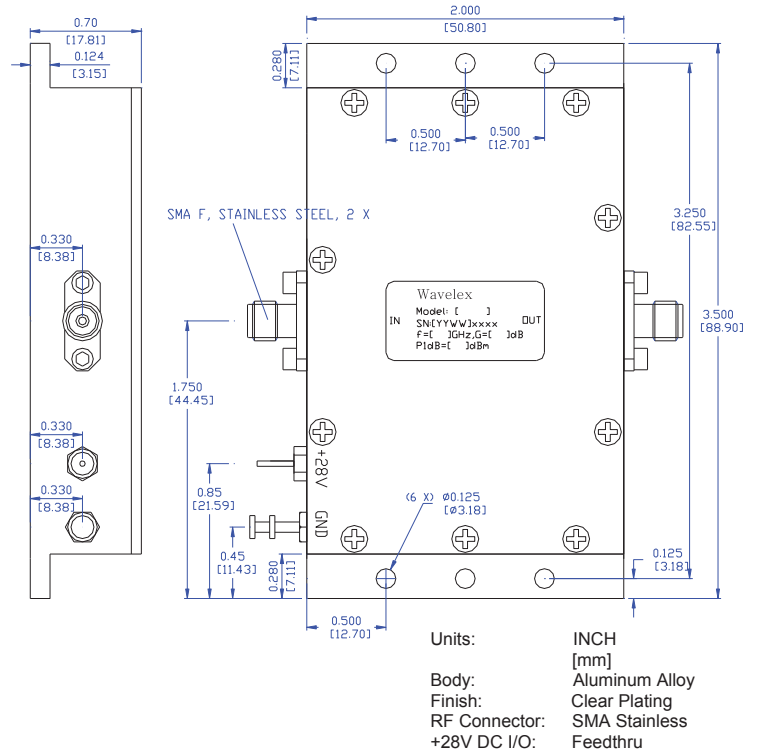
0.7" x 0.7" DC Blocks



0.7" x 0.7" Terminators & Loads



WP-1M



SMA F, SMA M

